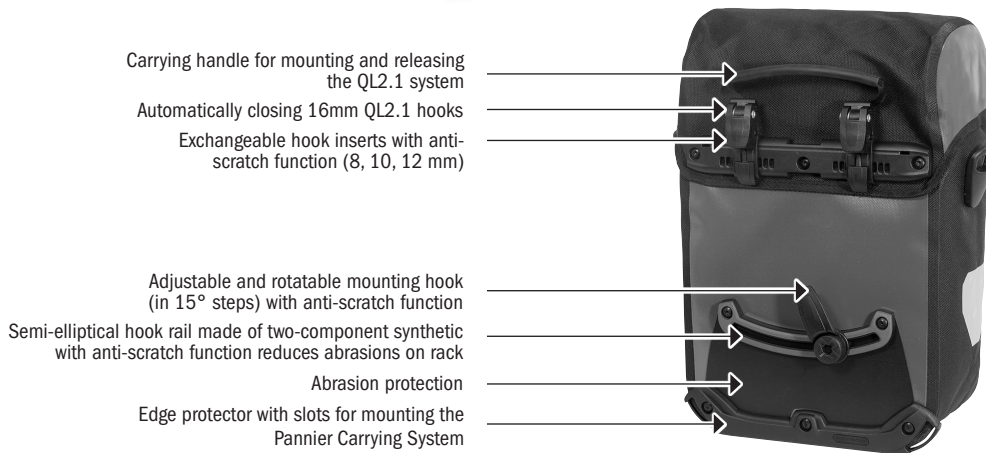


PRODUCT INFO

SPORT-PACKER

Lowrider pannier or rear pannier (pair) with QL2.1 system

-  PFAS free
-  IP 54
-  Anti scratch
-  QL2.1 system
-  PD620
-  PS490



Height cm/in	Width cm/in	Depth cm/in	Volume L/cu.in.	Weight g/oz.	Max. capacity kg/lbs.
40/15.7	25/9.8	14/5.5	30/1831 (pair)	1750/61.7 (pair)	18/39.6 (pair)

SPECIFICATIONS:

- + Universal pannier (pair) for lowrider or rear rack
- + Can be used individually or as pair, as small rear pannier or for the lowrider
- + Bag made of PVC coated polyester fabric
- + QL2.1 mounting system for racks with max. 16 mm tube diameter
- + 18 mm & 20 mm hook available as separate accessory (e.g. for E-bikes)
- + Reduction inserts for tube diameters 8, 10 und 12 mm with anti-scratch function preventing abrasion on the rack
- + Hooks adjustable without requiring tools
- + Lower hook rail made of two-component hard-soft synthetic with anti-scratch function protecting the rack
- + Including integrated inner pocket and shoulder strap
- + Ideal alternative to Sport-Rollers (can be loaded higher due to its lids)
- + Symmetrical shape allows use on right or left side
- + Possibility to attach the ORTLIEB carrying system
- + Suitable as small rear pannier or for use on children's/youth bicycles
- + Highly reflective Scotchlite reflector
- + Easy to clean inside

Contents: Panniers comes with shoulder strap, reduction inserts 8, 10 and 12 mm (2 pairs per size)

Optional accessories: Pannier Carrying System, Anti-Theft-Device (E124), Outer Pocket 2,1 L, Mesh-Pocket, Bottle-Cage, QL2.1 hook 18mm (E211) & 20mm (E193)

Attention: Maximum load per pannier is 9kg / 20 lbs. We recommend weighing each loaded pannier to confirm that the maximum allowance of the pannier fixation is not exceeded. This practice is advised for both rear and front panniers. CAUTION: The maximum weight capacity of every carrier model is different. Please observe the maximum weight allowance of the carrier fitted to your bicycle. Note: Sometimes the maximum capacity of the panniers fixing system can exceed the maximum capacity of the carrier. DO NOT exceed the maximum capacity of the carrier! Note, that the use of panniers will significantly influence the handling properties of your bicycle.

Attention: As abrasion cannot be ruled out, we recommend that all points where the mounting system contacts the bicycle rack or frame be protected by scratch protection film.

Note: In order to meet standard IP54 (5=protected against dust, 4=protected against splash water coming from all directions) the lid must be properly closed.

ORTLIEB Sportartikel GmbH · Rainstrasse 6 · 91560 · Heilsbronn, Germany · T +49 9872 800-0 · F +49 9872 800-266 · E info@ortlieb.com · www.ortlieb.com



**BUILT TO ENDURE.
WATERPROOF.
MADE IN GERMANY.**