

PRODUCT INFO

SPORT-ROLLER CITY

Lowrider or rear pannier with QL1 system

QL1 system
IP 64

PD620
PS490



Carrying handle for mounting and releasing the QL1 system

Buckles for fixing the rolling closure

D-ring for shoulder strap (shoulder strap not included, optional extra)

High-quality 3M Scotchlite reflector

QL1 rail for fast fixing to the rack or lowrider

Semi-elliptical hook rail with QL hook (adjustable in 15° steps)

Abrasion protector

Edge protector with slots for mounting the Carrying System Bike Pannier



Height cm/in	Width cm/ in	Depth cm/ in	Volume Ltr.	Weight gr.	Max. capacity kg.
30/11.8	25/9.8	14/5.5	12.5	605	9

SPECIFICATIONS:

- + Waterproof bike pannier ideal as starter model
- + Can be used individually or as pair as small rear pannier or for the lowrider
- + Sides of PS490, front and back of PD620
- + QL1 mounting system
- + For racks with a diameter up to 16 mm, reduction pieces for 8 mm and 11 mm rack diameters included
- + Top QL hooks and lower sliding hook adjustable with Allen key no. 3
- + Mounting not required; simply adjust QL hook distance with Allen key no.3
- + Symmetrical shape allows use on right or left side
- + Highly reflective 3M Scotchlite reflector
- + Ideal for use on children's/youth bicycles
- + Easy to clean inside

Contents: Panniers come as a single bag.

Optional accessories: ORTLIEB carrying system, inner pocket, outer pocket/s (size S), mesh pocket, bottle cage, shoulder strap (No. E172)

Attention: Maximum load per pannier is 9kg / 20 lbs. We recommend weighing each loaded pannier to confirm that the maximum allowance of the pannier fixation is not exceeded. This practice is advised for both rear and front panniers. CAUTION: The maximum weight capacity of every carrier model is different. Please observe the maximum weight allowance of the carrier fitted to your bicycle. Note: Sometimes the maximum capacity of the panniers fixing system can exceed the maximum capacity of the carrier. DO NOT exceed the maximum capacity of the carrier! Note, that the use of panniers will significantly influence the handling properties of your bicycle.

Attention: As abrasion cannot be ruled out, we recommend that all points where the mounting system contacts the bicycle rack or frame be protected by scratch protection film.

Note: In order to meet standard IP64 (6=dustproof 4=protected against splash water coming from all directions) the lid must be rolled 3-4 times.

QL1-SYSTEM

DE MONTAGEANLEITUNG:
GB ASSEMBLY INSTRUCTIONS:
FR INSTRUCTIONS DE MONTAGE:

IT ISTRUZIONI DI MONTAGGIO:
NL MONTAGE HANDLEIDING:
DK MONTERINGSVEJLEDNING:

ES INSTRUCCIONES DE MONTAJE:
SE MONTERINGS ANVISNING:
NO MONTERINGS ANVISNING:

FI ASENNUSOHJEET:
PL INSTRUKCJA MONTAŻU:
JP 換気の良い所に保管してください。

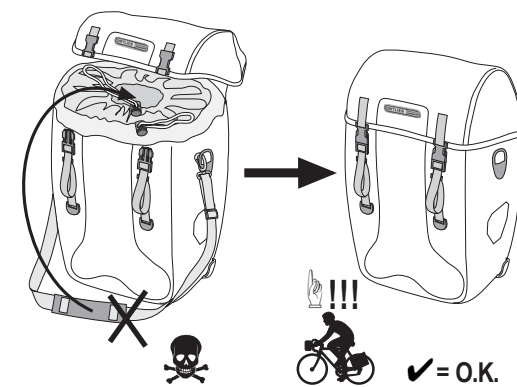


QL1 - MODELS

Bike-Packer Sport-Packer incl.

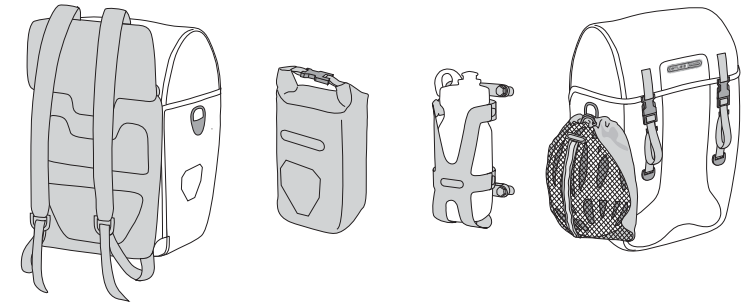


! WARNING



ACCESSOIRES

= + Art. #F34 = + Art. #F91S = + Art. #F9101 = + Art. #F9121

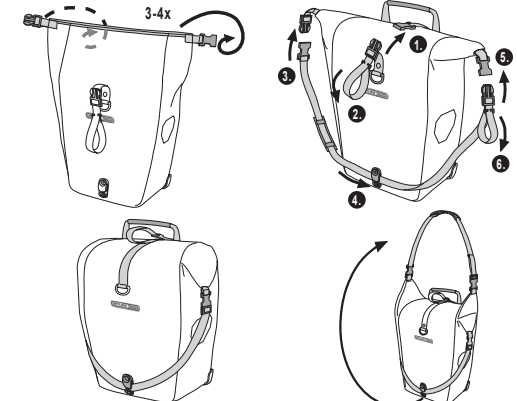


QL1 - MODELS

Back-Roller Sport-Roller incl.

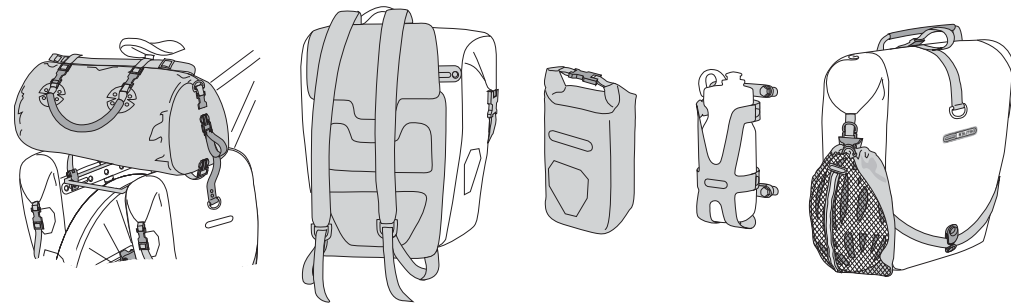


! WARNING



ACCESSOIRES

= + Rack-Pack, Size S + M = + Art. #F34 = + Art. #F91S = + Art. #F9101 = + Art. #F9121

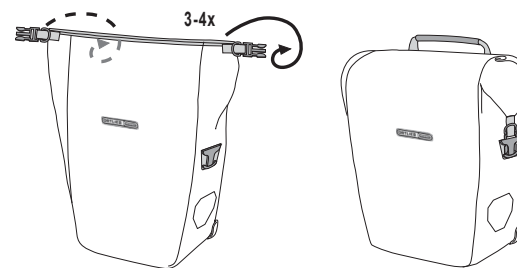


QL1 - MODELS

Back-Roller City Sport-Roller City



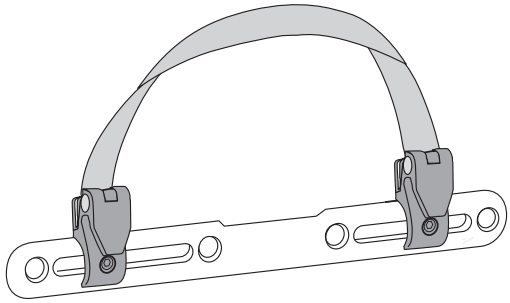
! WARNING



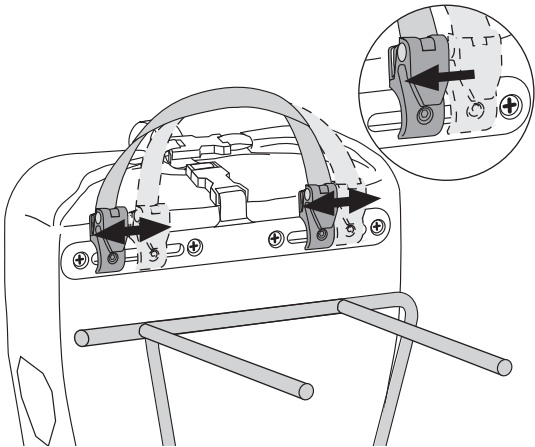
ACCESSOIRES

= + E 172 = + Art. #F34

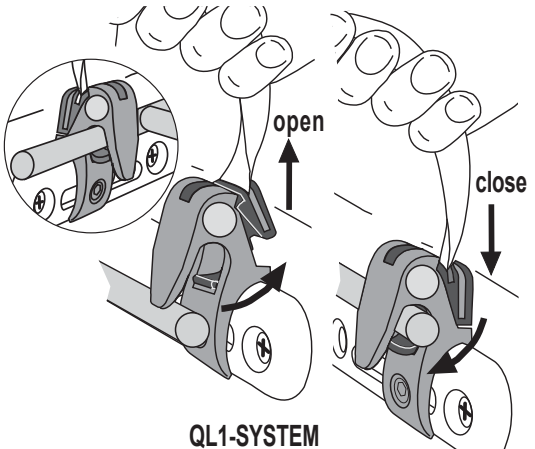




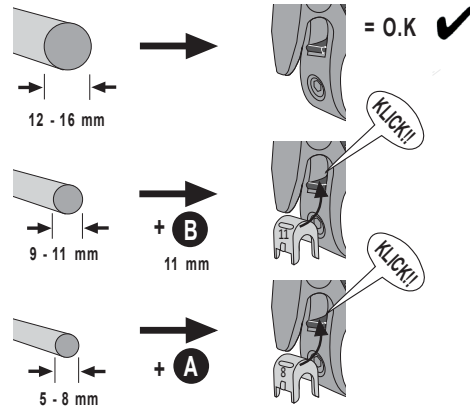
B



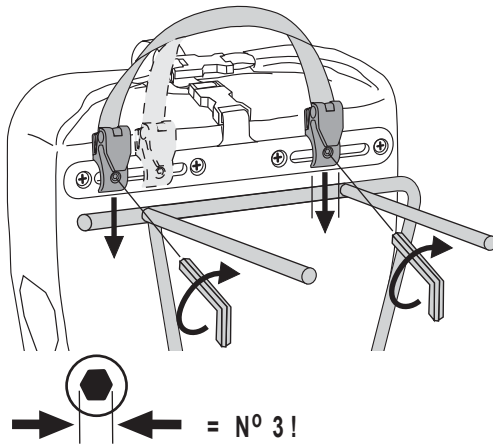
D



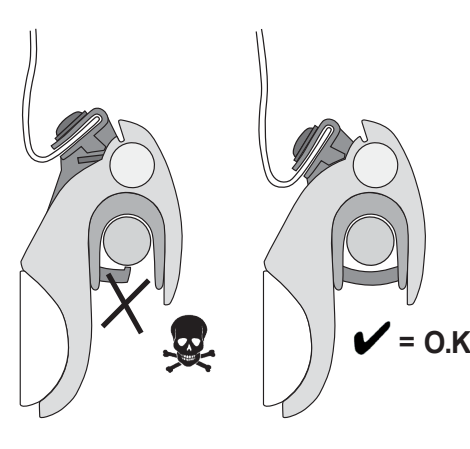
A



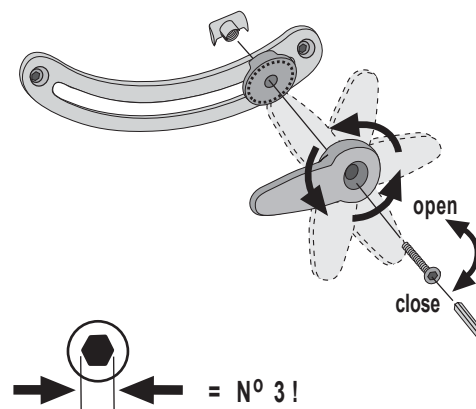
C



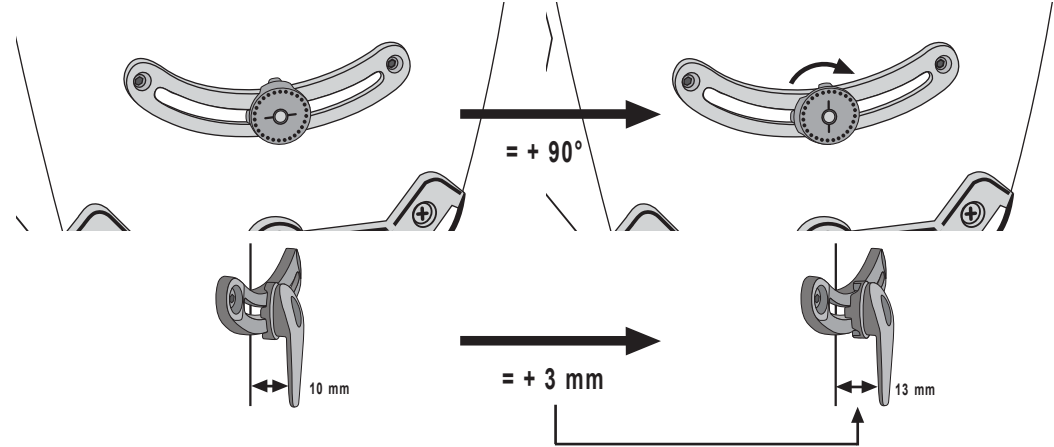
E



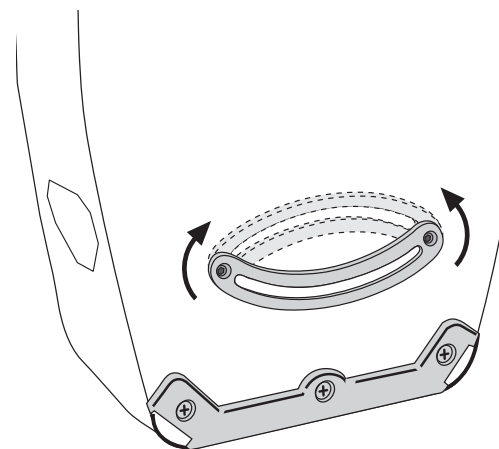
F



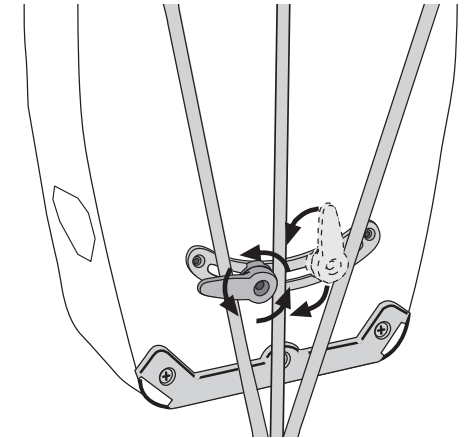
Option 1



Option 2



G



- 1.) 100 km (60 Miles)
- 2.) 500 km (300 Miles)
- 3.) 1000 km (600 Miles)
- 4.) 1500 km (900 Miles)

etc.

