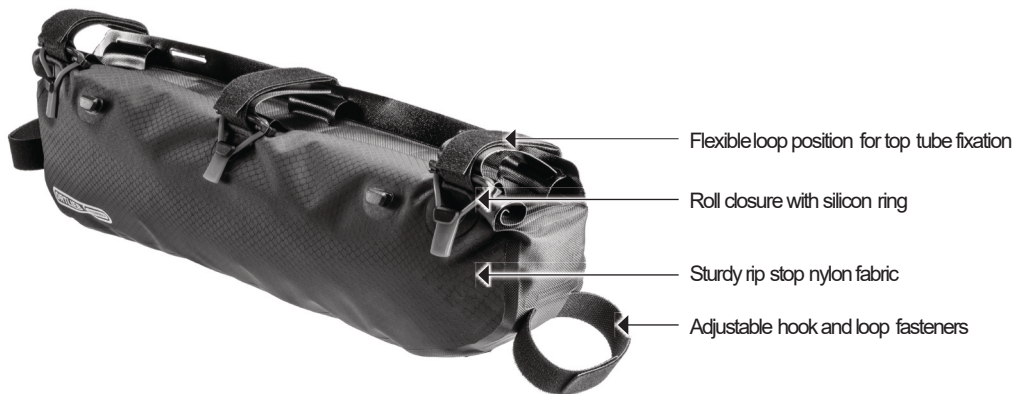


PRODUCT INFO



FRAME- PACK RC TOPTUBE

Waterproof Framebag with roll closure



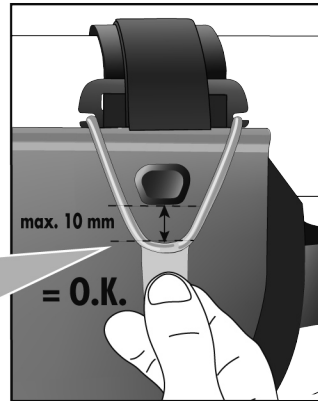
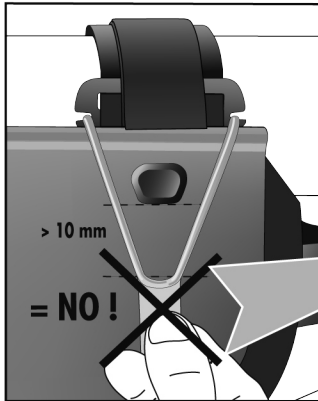
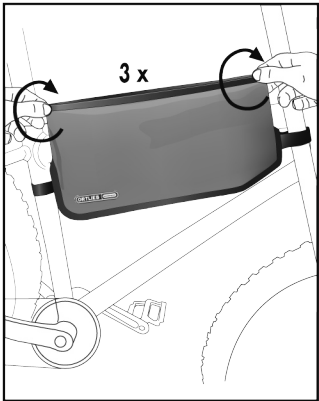
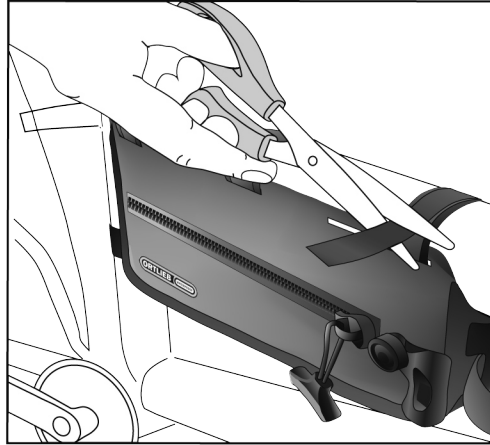
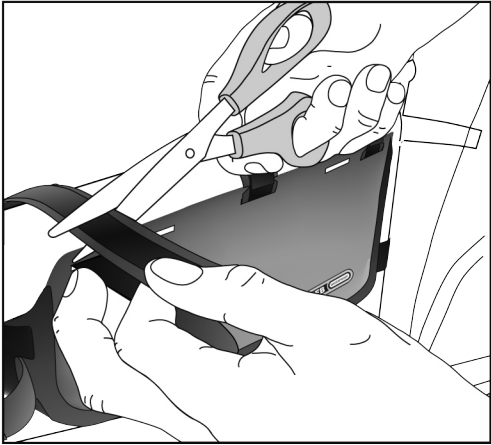
height cm/in.	width cm/in.	depth cm/in.	vol. L/cu.in.	weight g/oz.	max. load kg/lbs.
13/5.1	50/19.7	6/2.4	4/244	170/6	3/6.6

SPECIFICATIONS:

- + Waterproof toptube framepack with roll closure
- + Ideal pack for bikepacking, alp crossing and trekking tours
- + Light weight, sturdy PU laminated rip stop nylon fabric
- + Suitable for heavy gear such as tools, tent poles, food etc.
- + Allows fixing of drinking bottle and transport of gear on frame
- + Ideal for full suspension bikes with limited space due to the vertical absorber
- + 3 strong, individually positionable hook and loop fasteners for mounting to top frame tube
- + Hook and loop fasteners suitable for tube diameter from 30 mm to 70 mm; protruding hook and loop fasteners can be easily shortened
- + 2 individually positionable hook and loop fasteners for saddle and/or down tube
- + Can be mounted to carbon frames
- + Even weight distribution on bicycle
- + Roll closure with silicone ring
- + Better packing through large opening

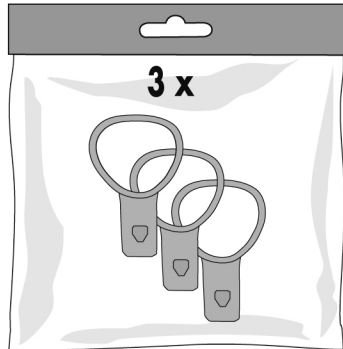
Contents: Frame-Pack with 2 hook and loop fasteners

Note: In order to meet standard IP64 (6=dustproof, 4=protected against splash water coming from all directions) the roll closure must be rolled at least 3-4 times.



ACCESSORIES

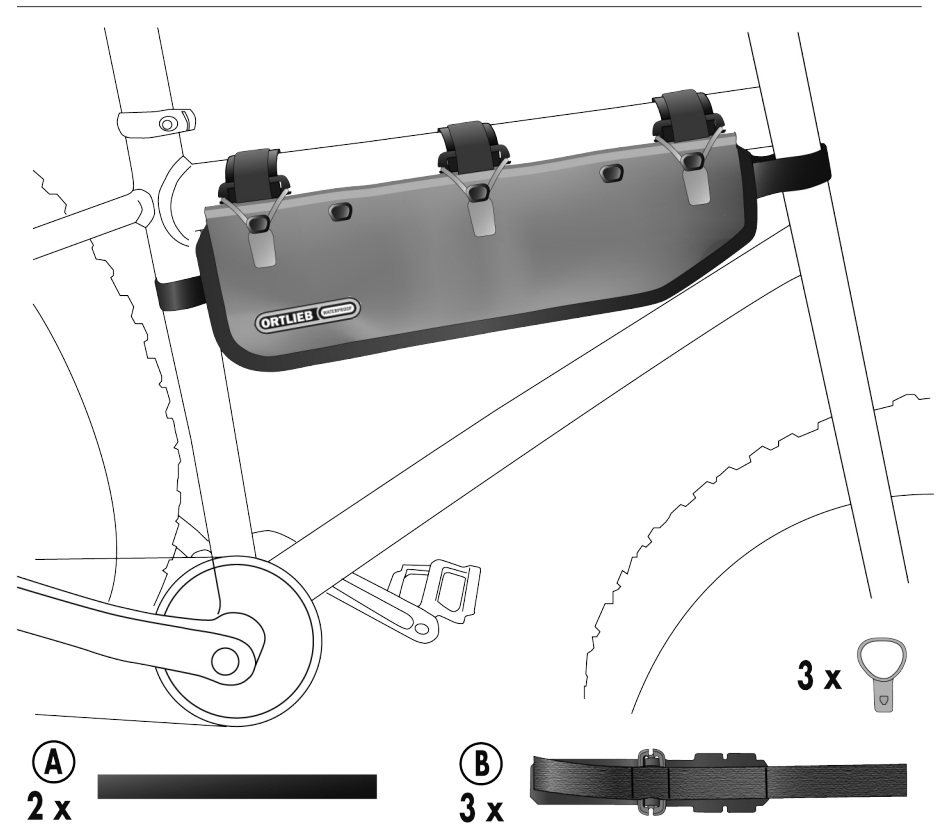
+ = Art. # E221
Frame-Pack RC
Spanngummis



FRAME-PACK RC TOPTUBE



- | | | | |
|----|-------------------------|----|--------------------------|
| DE | MONTAGEANLEITUNG | ES | INSTRUCCIONES DE MONTAJE |
| GB | ASSEMBLY INSTRUCTIONS | SE | MONTERINGSANVISNING |
| FR | INSTRUCTIONS DE MONTAGE | NO | MONTERINGSANVISNING |
| IT | ISTRUZIONI DI MONTAGGIO | FI | ASENNUSOHJEET |
| NL | MONTAGE HANDLEIDING | PL | INSTRUKCJA MONTAZU |
| DK | MONTERINGSVEJLEDNING | JP | 装着方法 |



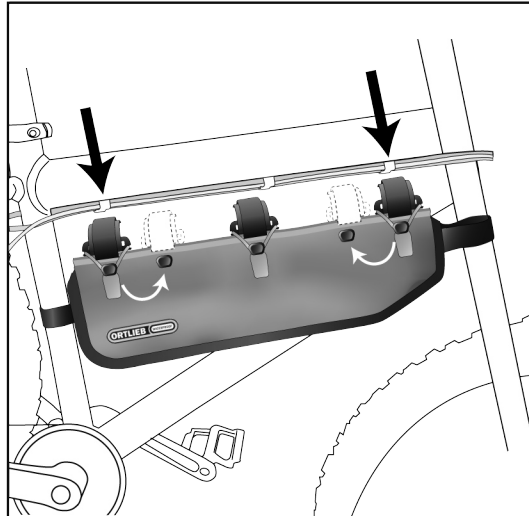
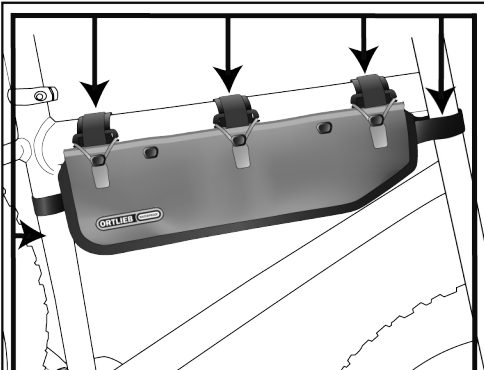
WEITERE INFORMATIONEN:
MORE INFORMATION:

<https://www.youtube.com/watch?v=CuMWYUYhSoM>

www.ortlieb.com

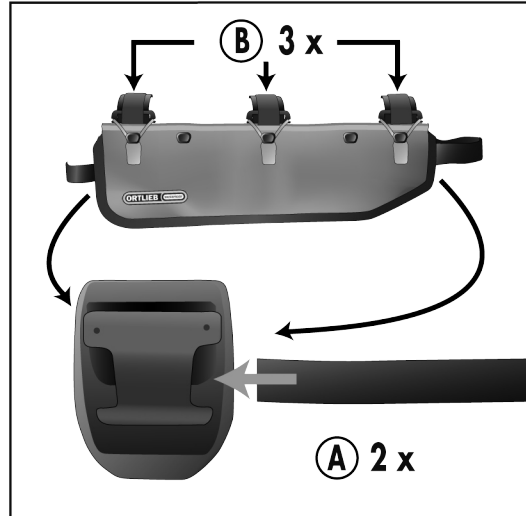


WA145 4521

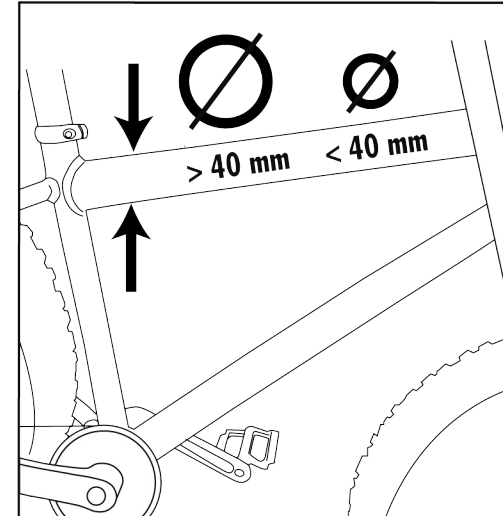


UM KRATZER ZU VERMEIDEN, BENUTZE RAHMENSCHUTZFOLIE AN DEN KONTAKTSTELLEN (nicht beinhaltet)
 TO AVOID SCRATCHES, USE ADHESIVE FRAME PROTECTION AT CONTACT POINTS (not included)

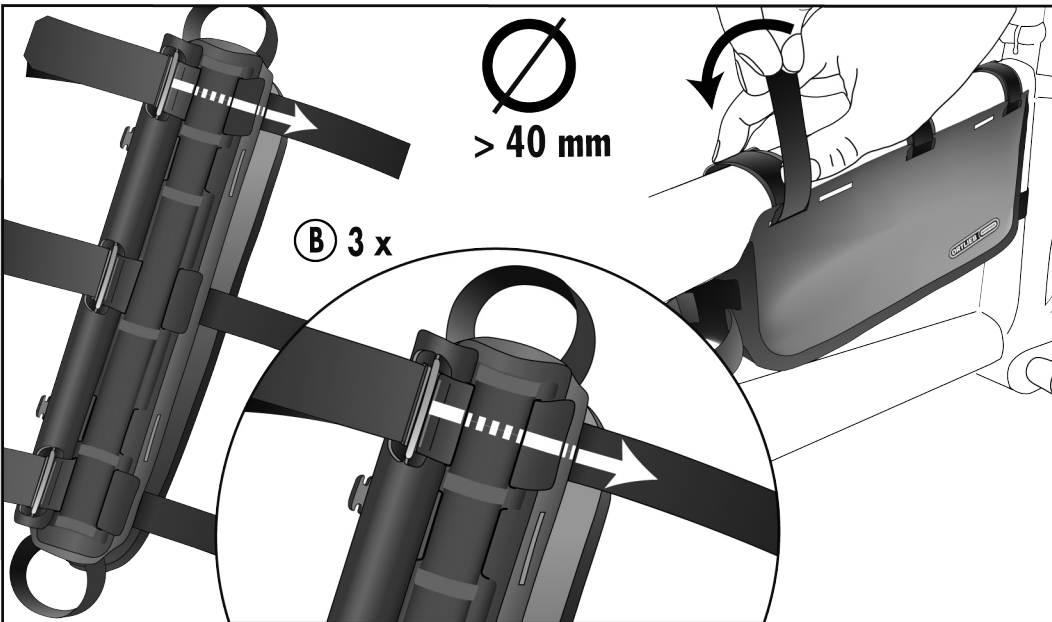
1.2



1.3



1.3 (> 40 mm)



1.3 (< 40 mm)

