

PRODUCT INFO

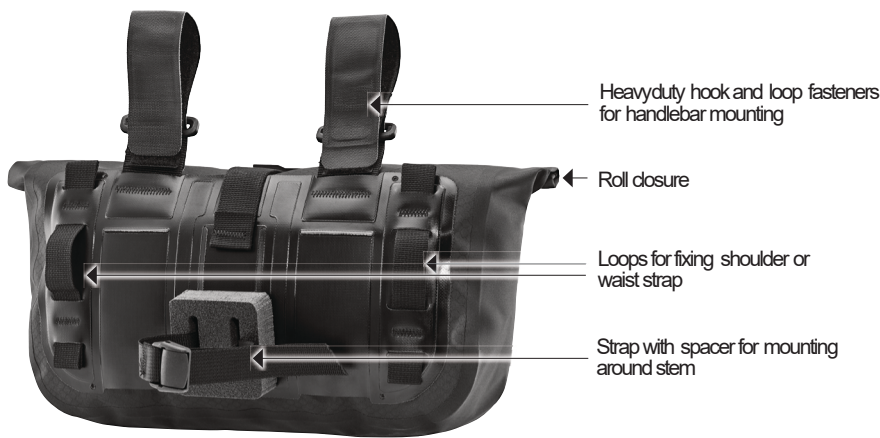


ACCESSORY-PACK

Waterproof small additional bag



Can be used as a shoulder or hip bag with included strap



More capacity: Accessory-Pack mounted to Handlebar-Pack (optional accessory)

height cm/in	width cm/in.	depth cm/in.	vol. L/cu.in.	weight g/oz.
17/6.7	30/11.8	5/2	3.5/214	206/7.3

SPECIFICATIONS:

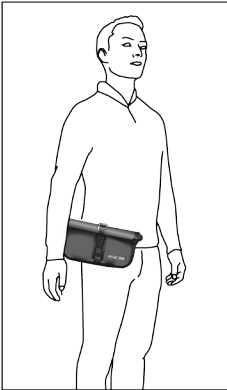
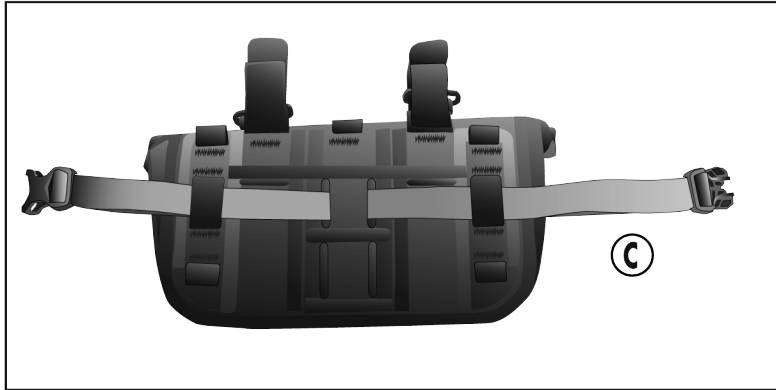
- + Waterproof Accessory-Pack with roll closure
- + Ideal accessory bag for extra gear, perfect for small stuff such as cell phones, energy bars, GPS etc.
- + Can be used independently as a handlebar bag, or fixed to the Handlebar-Pack for additional quick access storage
- + Can be used as a shoulder bag or hip pouch with the included waist strap
- + Light weight sturdy PU laminated rip stop nylon
- + Mounts to Handlebar-Pack at four locations, utilizing four webbing loops and heavy duty alloy hooks
- + Heavy duty hook and loop fasteners for mounting directly to the handlebar
- + Can be mounted to carbon handlebars
- + Reflective logo
- + Maximum capacity: 1 kg/2.2 lbs.

Contents: Accessory-Pack with waist strap

Optional accessory: Handlebar-Pack

Note: In order to meet standard IP64 (6=dustproof, 4=protected against splash water coming from all directions) the closure must be rolled 3-4 times.



C**1**

ACCESSORY-PACK

ORTLIEB WATERPROOF

- DE MONTAGEANLEITUNG
- GB ASSEMBLY INSTRUCTIONS
- FR INSTRUCTIONS DE MONTAGE
- IT ISTRUZIONI DI MONTAGGIO
- NL MONTAGE HANDLEIDING
- DK MONTERINGSVEJLEDNING

- ES INSTRUCCIONES DE MONTAJE
- SE MONTERINGSANVISNING
- NO MONTERINGSANVISNING
- FI ASENNUSOHJEET
- PL INSTRUKCJA MONTAZU
- JP 装着方法



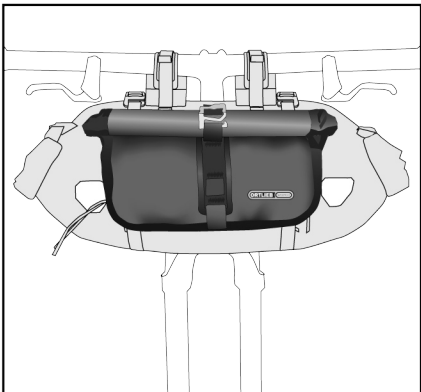
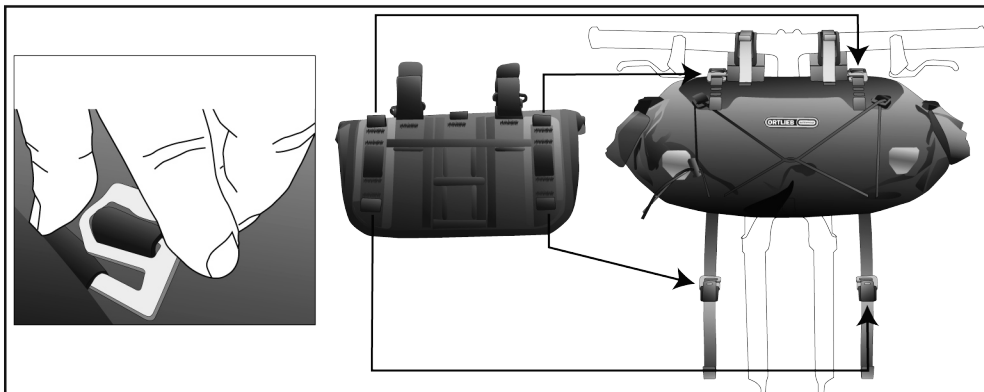
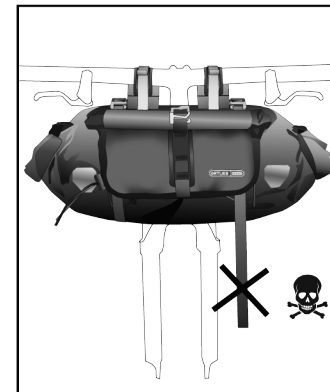
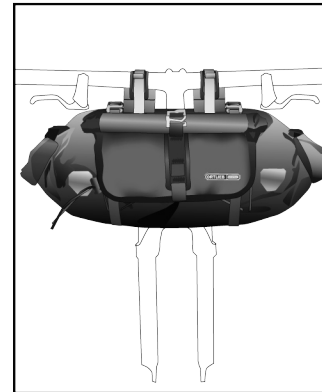
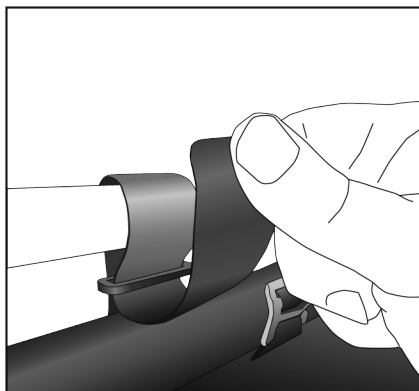
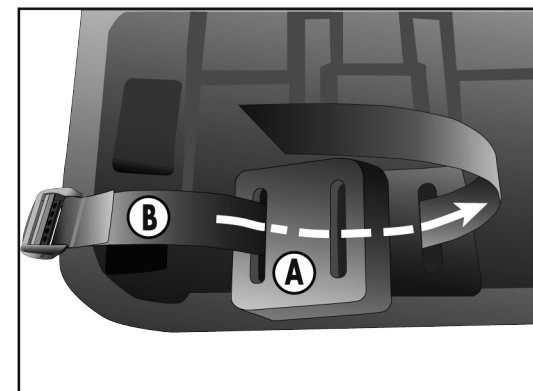
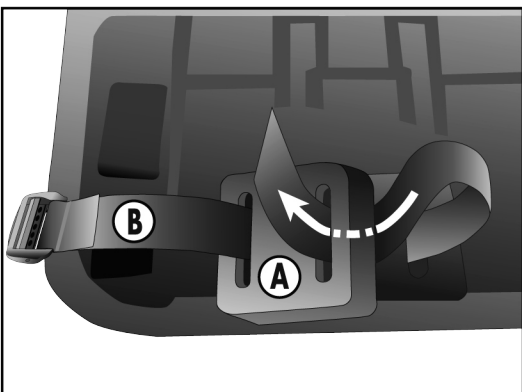
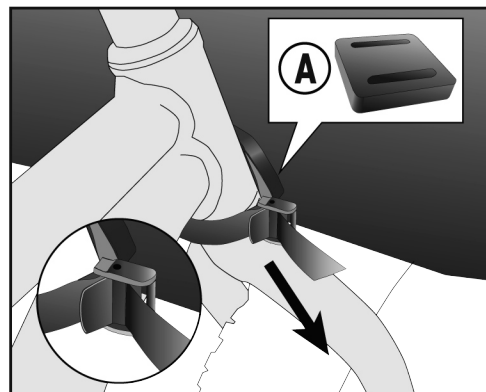
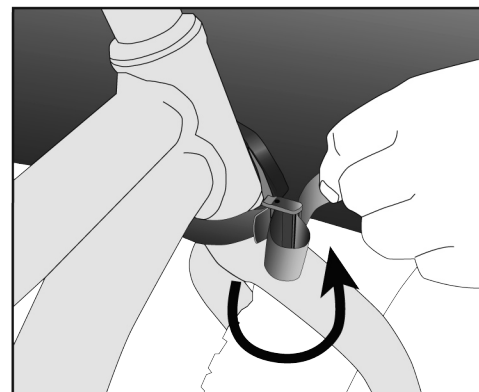
1 x **A**

1 x **B**

1 x **C**

WEITERE INFORMATIONEN:
 MORE INFORMATION:
<https://www.youtube.com/watch?v=CuMWYUYhSoM>



A**1****2****B****1****2****2.1****2.2****2.3****2.4****2.5**