

# PRODUCT INFO

## SADDLE-BAG TWO

Saddle-Bag with roll closure in 2 sizes



Snap lock for attaching the bag to the saddle

Hook and loop fastener for additional fixing of the bag to seat post, prevents moving of the bag  
Loop for mounting tail light (optional)

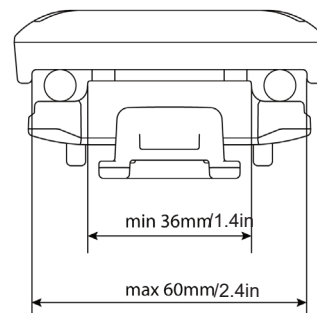


Saddle-Bag Mounting-Set (included)



Roll closure with buckle

3M Scotchlite reflector, both sides



height cm/in.	width cm/in.	depth cm/in.	vol. L/cu.in	weight g/oz.	max. capacity kg/lbs.
12/4.7	16/6.3	19/7.5	1.6/98	220/7.8	2/4.4
14/5.5	21/8.3	28/11	4.1/250	260/9.2	2/4.4

### SPECIFICATIONS:

- + Waterproof Saddle-Bag Two in 2 sizes for mountain, road or touring bikes
- + PU-coated nylon fabric
- + Size 1.6 liter perfect for road bikes and mountain bikes (e.g. for spare tube, pocket tool)
- + Size 4.1 liter provides enough space for a jacket and the necessary small items (alternative to backpack)
- + Roll closure is fixed to sides with buckles
- + No protruding plastic parts on inside
- + Compression straps
- + Daisy chain for tail light
- + Highly effective Scotchlite reflectors ensure safety in the dark
- + On bikes without mudguards the bag shields the rider from splash (4.1 liter version)
- + Snap lock for quick fitting and removal
- + Including adjustable mounting set for fixing under saddle
- + Hook and loop fastener suitable for seat posts up to 34,9 mm (e.g. foldable bike Birdy)
- + Maximum load 2 kg/4 lbs

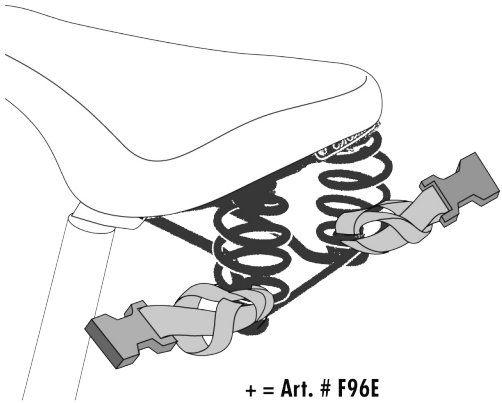
**Contents:** Saddle-Bag Two with mounting set

**Optional accessories:** Strap set for Saddle-Bag Two for comfort saddles (No. F96E), Saddle-Bag Mounting-Set (No. E97) for additional bike

**Attention:** Not suitable for carbon saddles and for mounting on carbon seatposts

**Note:** In order to meet standard IP64 (6=dustproof, 4=protected against splash water coming from all directions) the roll closure must be rolled at least 3-4 times.

2 A

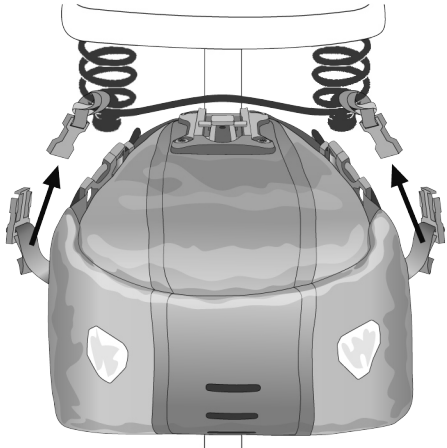


+ = Art. # F96E

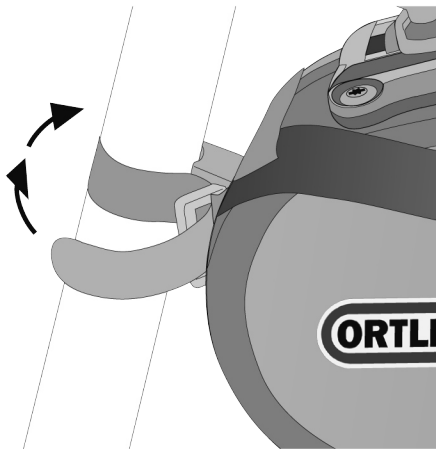
2 B



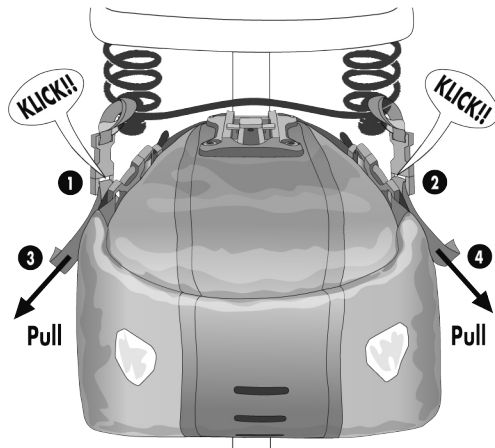
2 C



2 E



2 D



1,6 L / 4,1 L



max. 2 kg

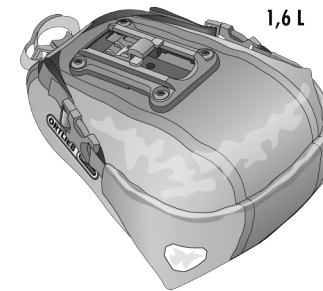
# SADDLE-BAG TWO 1,6 L / 4,1 L

**ORTLIEB** WATERPROOF

- DE MONTAGEANWEISUNG:
- GB ASSEMBLY INSTRUCTIONS:
- FR INSTRUCTIONS DE MONTAGE:
- IT ISTRUZIONI DI MONTAGGIO:
- NL MONTAGE HANDLEIDING:
- DK MONTERINGSVEJLEDNING:
- ES INSTRUCCIONES DE MONTAJE:
- SE MONTERINGSANVISNING:
- NO MONTERINGSANVISNING:
- FI ASENNUSOHJEET:
- PL INSTRUKCJA MONTAZU:
- JP 装着方法



- INHALT:
- CONTENTS:
- CONTENU:
- CONTENUTO:
- INHOUD:
- INDHOLD:
- CONTENIDO:
- INNEHÅLL:
- INNHOLD:
- SISÄLLYS:
- ZAWARTOSC:
- 内容物

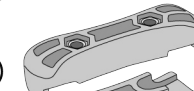


1,6 L



4,1 L

A



B



2x C

## ACCESSORIES

