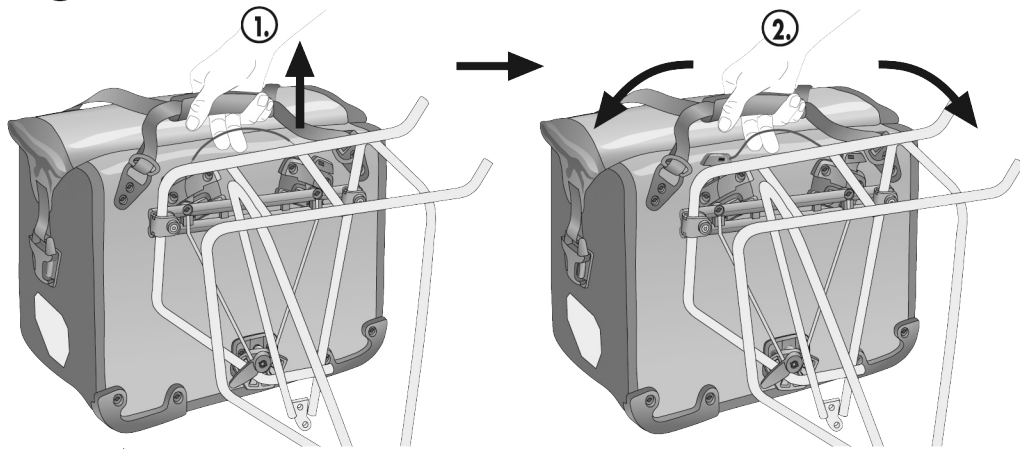
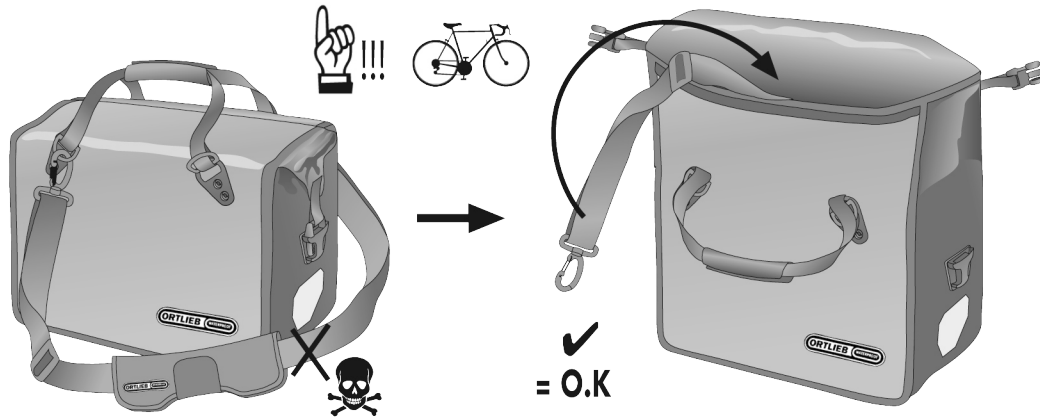


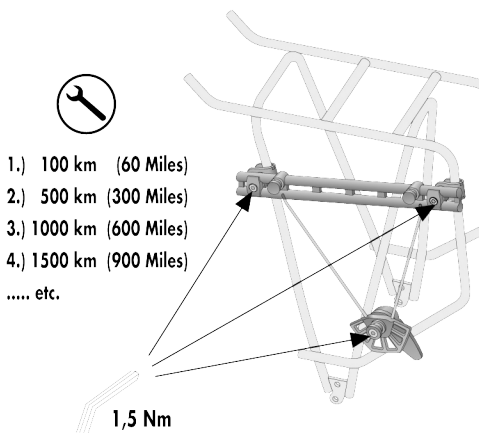
4



5

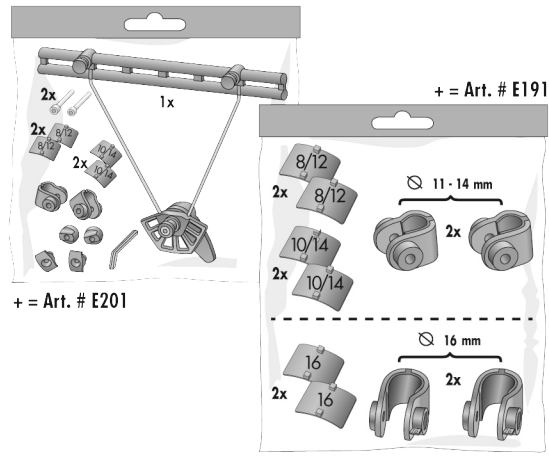


6



- 1.) 100 km (60 Miles)
- 2.) 500 km (300 Miles)
- 3.) 1000 km (600 Miles)
- 4.) 1500 km (900 Miles)
- etc.

ACCESSORIES

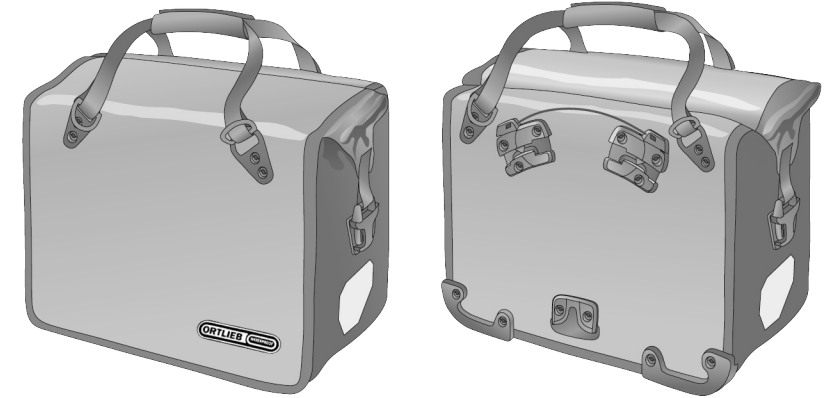


OFFICE-BAG QL3.1

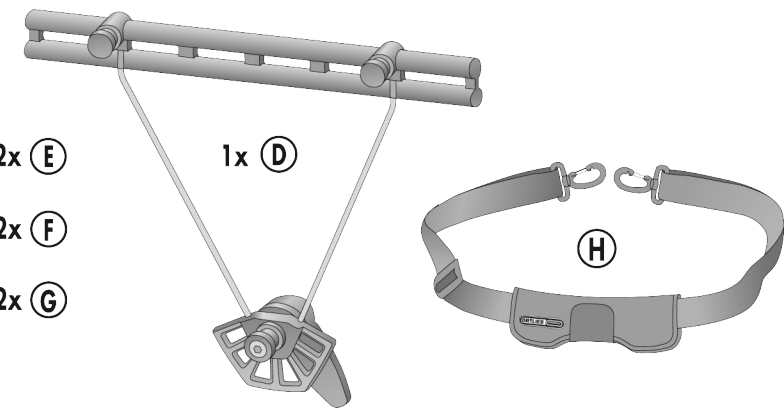
ORTLIEB WATERPROOF

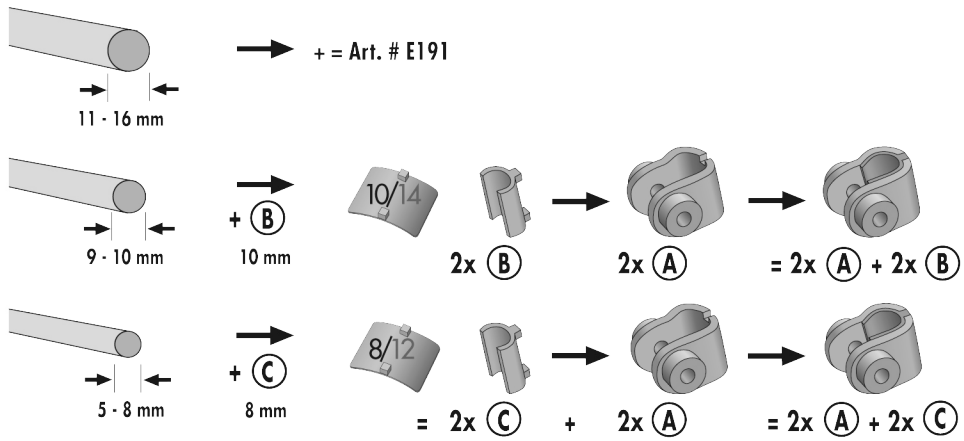
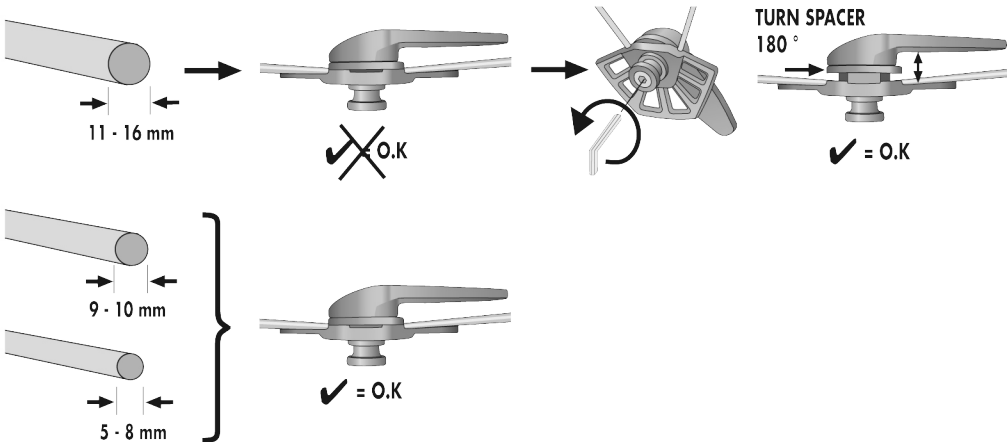
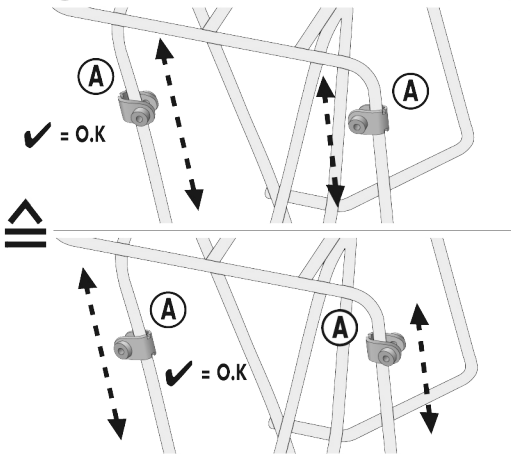
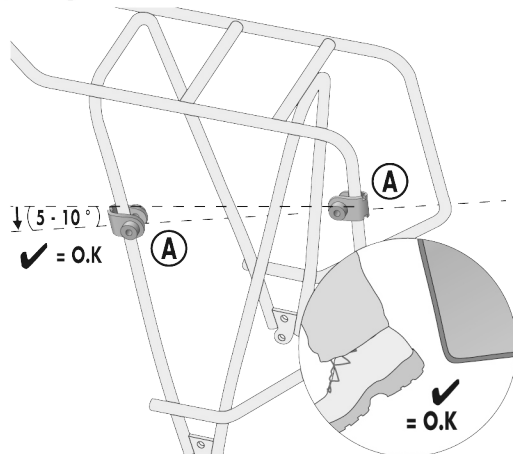
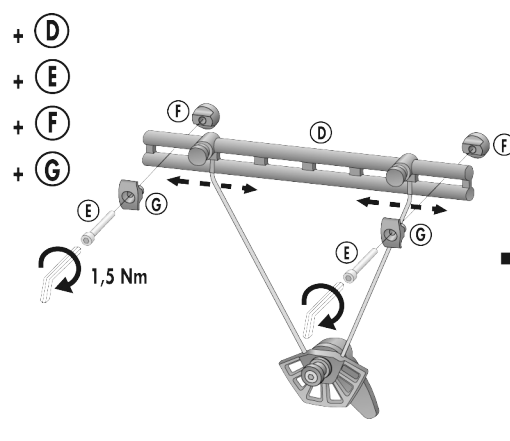
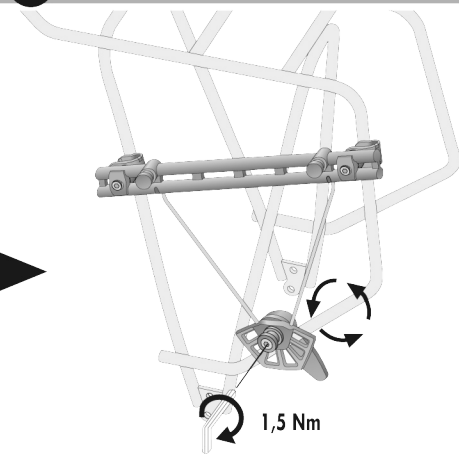
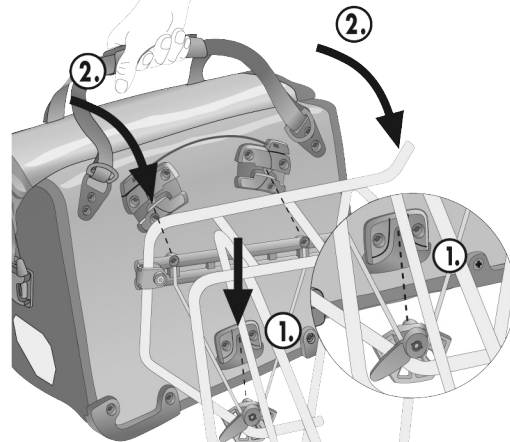
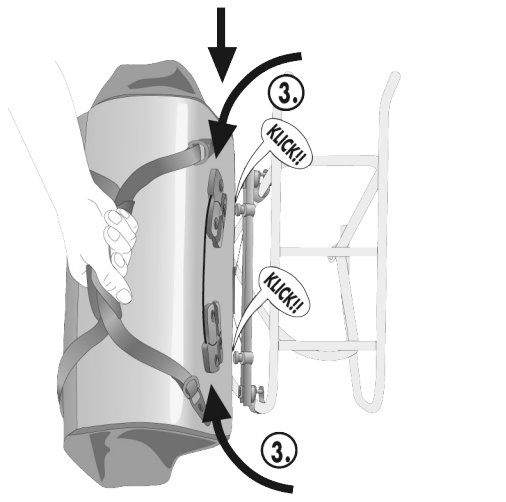
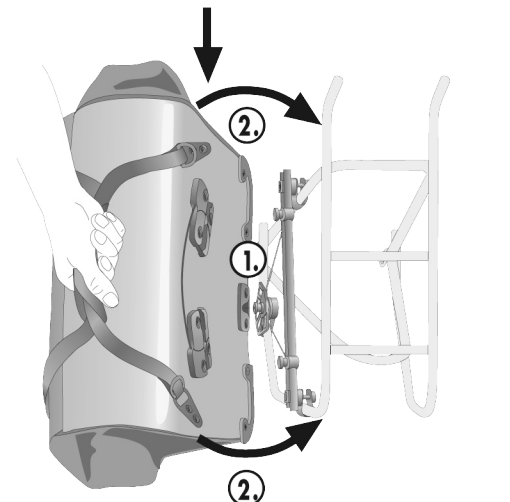
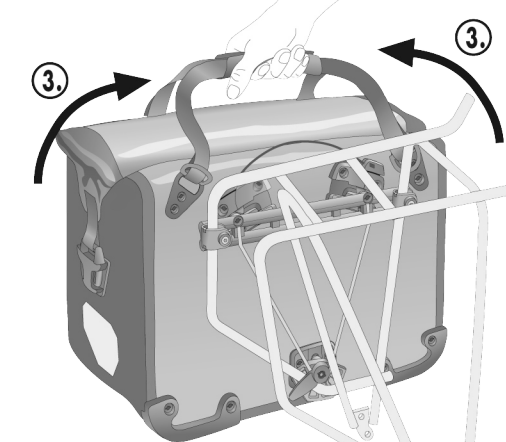

- DE MONTAGEANLEITUNG:
- GB ASSEMBLY INSTRUCTIONS:
- FR INSTRUCTIONS DE MONTAGE:
- IT ISTRUZIONI DI MONTAGGIO:
- NL MONTAGE HANDLEIDING:
- DK MONTERINGSVEJLEDNING:
- ES INSTRUCCIONES DE MONTAJE:
- SE MONTERINGSANVISNING:
- NO MONTERINGSANVISNING:
- FI ASENNUSOHJEET:
- PL INSTRUKCJA MONTAŻU:
- JP 装着方法

INHALT:
CONTENTS:
CONTENU:
CONTENUTO:
INHOUD:
INDHOLD:
CONTENTO:
INNEHÅLL:
INNHOLD:
SISÁLLYS:
ZAWARTOSC:
内容物



- 2x (A)
- 2x (B)
- 2x (C)
- 2x (E)
- 2x (F)
- 2x (G)
- 1x



1**1.1****2.1****2.2****2.3****2.4****3.1****3.2**

PRODUCT INFO

OFFICE-BAG HIGH VISIBILITY QL3.1

Bike briefcase made of reflective fabric

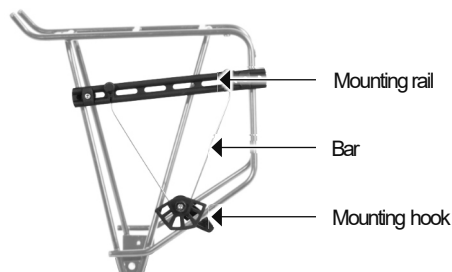
-  PVC free
-  IP 64
-  PS50CX
-  PS50X
-  QL3.1 system



- Carrying handle
- D rings for fixing a shoulder strap
- Roll closure with buckle
- Entire bag is made of reflective fabric (black)
- Twolateral Scotchlite reflectors
- Padded shoulder strap



- QL3.1 handle for release
- Upper QL3.1 mounting
- Plane rear, no extruding hooks
- Lower QL3.1 mounting
- Edge protectors on rear left and right



QL3.1 mounting components (incl.)

height inner/outer cm/in.	width inner/outer cm/in.	depth inner/outer cm/in.	volume L/cu.in	weight g/oz.	max. capacity kg/lbs.
29/11.4 30/11.8	39/15.4 40/15.7	15/5.9 17/6.7	21/1282	1540/54.3	9/19.6

SPECIFICATIONS:

- + Waterproof brief case with roll closure and QL3.1 mounting system
- + Ideal for biking to the office, city, university etc.
- + PVC-free reflective fabric
- + Increased visibility when hit by headlights due to highly visible reflective fabric in black
- + Single-handed mounting and removal of the bag
- + Mounting components compatible with racks having tubes up to 10 mm diameter
- + Flat mounting elements ensure plane reverse side of bag
- + Height and angle of bag individually adjustable
- + Lower mounting hook rotatable
- + Two strong 3M Scotchlite reflectors
- + Size ideal for 2 large office files, tablet, cell phone etc.
- + Inner compartments with pockets
- + Carrying handle and padded removable shoulder strap

Contents: Bag comes with inner compartment, padded shoulder strap and QL3.1 mounting components

Attention: Remove shoulder strap and stow away inside bag prior to biking

Optional Accessories: QL3.1 mounting set for rack diameters 12 to 16 mm (E191), QL3.1 mounting set (e.g. for a second bike)

Attention: As abrasion cannot be ruled out, we recommend that all points where the mounting system contacts the bicycle rack or frame be protected by scratch protection film.

Attention: Maximum load per pannier is 9kg / 20 lbs. We recommend weighing each loaded pannier to confirm that the maximum allowance of the pannier fixation is not exceeded. This practice is advised for both rear and front panniers. CAUTION: The maximum weight capacity of every carrier model is different. Please observe the maximum weight allowance of the carrier fitted to your bicycle. Note: Sometimes the maximum capacity of the panniers fixing system can exceed the maximum capacity of the carrier. DON'T exceed the maximum capacity of the carrier! Note, that the use of panniers will significantly influence the handling properties of your bicycle.

Note: In order to meet standard IP64 (6=dustproof, 4=protected against splash water coming from all directions) the roll closure must be rolled at least 3-4 times.

ORTLIEB Sportartikel GmbH · Rainstrasse 6 · 91560 · Heilsbronn, Germany · T +49 9872 800-0 · F +49 9872 800-266 · E info@ortlieb.com · www.ortlieb.com

Infos on IP-symbols: www.ortlieb.com/us/service/technical-ip-symbols/ Office-Bag_High_Vis_QL3.1