

BIKE-PACKER ORIGINAL



- DE MONTAGEANWEISUNG
- GB ASSEMBLY INSTRUCTIONS
- FR INSTRUCTIONS DE MONTAGE
- IT ISTRUZIONI DI MONTAGGIO
- NL MONTAGE HANDLEIDING
- DK MONTERINGSVEJLEDNING
- ES INSTRUCCIONES DE MONTAJE
- SE MONTERINGSANVISNING
- NO MONTERINGSANVISNING
- FI ASENNUSOHJEET
- PL INSTRUKCJA MONTAZU
- JP 装着方法



40
years
Ortlieb.



! ACCESSORIES

= + Art. #F35



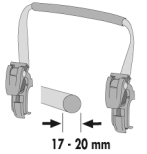
= + Art. #F9121



= + Art. #F915



= + Art. #E193



= + Art. #F9101



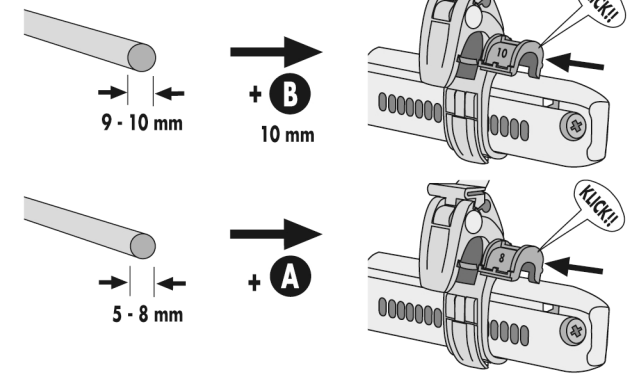
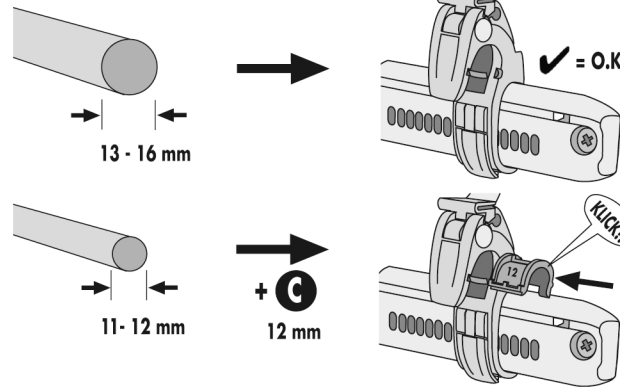
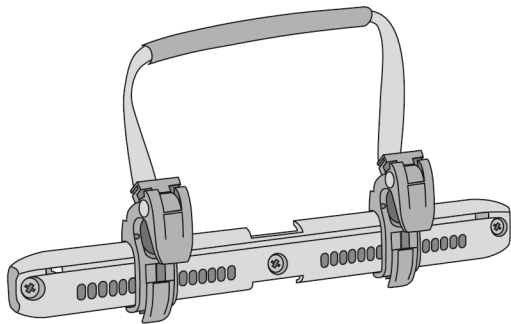
= + Art. #E125 (l)

= + Art. #E124 (s)

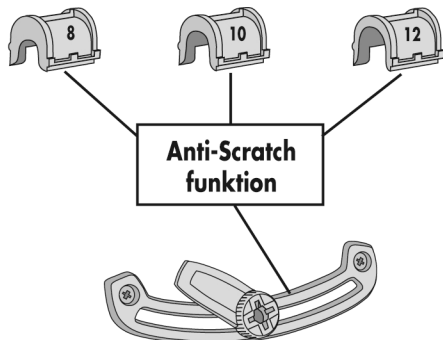


QL2.1

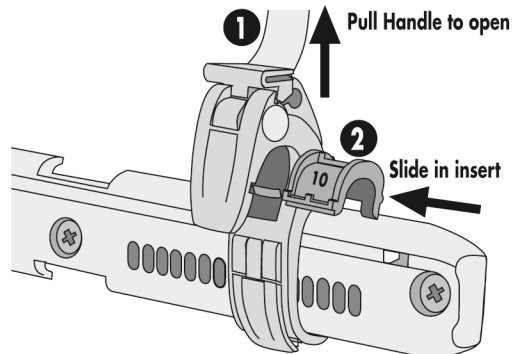
A



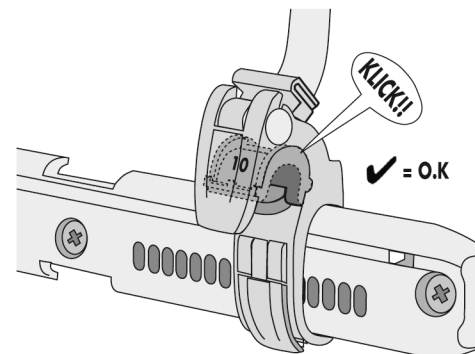
= **A** 8 mm = **B** 10 mm = **C** 12 mm



B



C



D

