

PRODUCT INFO

ULTIMATE SIX FREE

Handlebar bag with magnetic lid closure

Size 5 L



- Transparent sleeve for smartphone, GPS or map
- Flat lid with magnetic closure
- Highly reflective 3M Scotchlite reflectors
- Removable shoulder strap



Size 6.5 L



- Rigid lid with magnetic closure
- Fixing for shoulder strap
- Mounting for optional ORTLIEB Map-Case and Safe-It size M-L (from model 2017 on)
- Stable, flat bottom

size	height cm(in)	width cm/in	depth cm/ in	volume L/cu.in.	weight g/oz	max. capacity kg/ lbs
5 L	13.5/5.3	24/9.4	13/5.1	5/305	524/18.5	5/11
6.5 L	18/7.1	24/9.4	13/5.1	6.5/397	570/20.1	5/11

All dimensions are internal

SPECIFICATIONS:

- + Waterproof handlebar bag available in two sizes
- + Made of PVC-free, PU-laminated polyester
- + Lockable lid with magnetic flap
- + Touchscreen may be operated through transparent lid
- + Removable shoulder strap
- + Mounting provided for Safe-It size M-L (from 2017 on), Ultimate Six Map-Case
- + Integrated valuable pocket with zip and snap hook for keys
- + Highly reflective 3M Scotchlite reflector on front of bag

Contents: Bag comes with shoulder strap, instructions

Optional accessories:

For size 5 L and 6.5 L:

Mounting set in four versions (E225, E226, E185, E207), Handlebar Mounting-Set Extension (E165) (including separate long cable) for mounting onto extremely curved handlebars, Handlebar Mounting-Set Support (F1451) for mounting light, speedo or E-bike display, Ultimate Six Map-Case (F1402), Safe-It size M-L (from 2017 on)

For size 6.5 L: Ultimate Six Internal-Divider (F3904), Ultimate Six Camera-Insert (F94)

Attention:

- Keep cards with magnetic stripe at least 2 cm away from magnetic closure
- If the product is completely submerged, water can penetrate through the closure

Note: In order to meet standard IP54 (5=protected against dust, 4=protected against splash water coming from all directions) the lid must be closed properly.



PRODUCT INFO



ULTIMATE SIX FREE

Handlebarbag with magnetic lid closure

Inside view:



Carabiner with key chain

Back view:



Handlebar mounting-set (sold separately):



E185
Handlebar Mounting-Set
with Lock



E225
Handlebar Mounting-Set



E207
Handlebar Mounting-Set E-Bike
with Lock

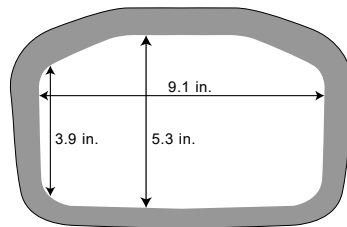


E226
Handlebar Mounting-Set E-Bike

Application examples:



Smartphone in transparent lid
compartment (not included)



Dimensions transparent sleeve



Opening lid compartment: 21,5cm / 8.5in.



Mounting of optional accessory
Ultimate Six Map-Case (not included)



Ultimate Six Internal Divider
(not included)



ULTIMATE SIX MODELS (CLASSIC, PLUS, FREE, PRO)

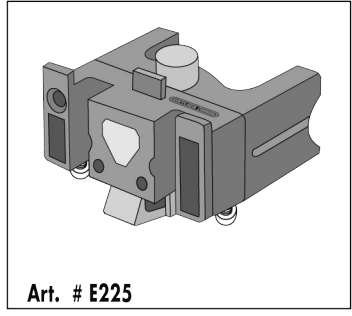


DE	MONTAGEANLEITUNG	LENKERTASCHE
GB	ASSEMBLY INSTRUCTIONS	HANDLEBAR BAG
FR	INSTRUCTIONS DE MONTAGE	SACOCHE POUR GUIDON
IT	ISTRUZIONI DI MONTAGGIO	BORSA DA MANUBRIO
NL	MONTAGE HANDLEIDING	STUURTAS
DK	MONTERINGSVEJLEDNING	STYRTASKE
ES	INSTRUCCIONES DE MONTAJE	BOLSA PARA MANILLAR
SE	MONTERINGS ANVISNING	STYRSTÅNGS VÅSKA
NO	MONTERINGS ANVISNING	STYREVESKE
FI	ASENNUSOHJEET	TANKOLAUKKU
PL	INSTRUKCJA MONTAZU	TOREBKA NA KIEROWNICE
JP	装着方法	ハンドルバーバッグ

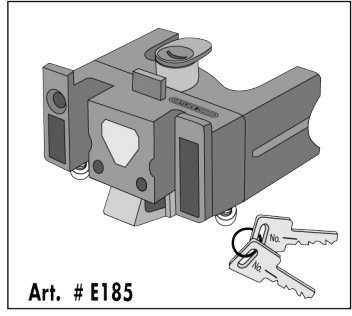


! MOUNTING-SET REQUIRED

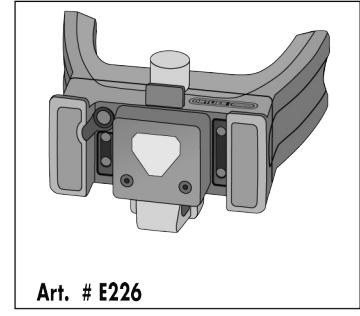
HANDLEBAR MOUNTING-SET



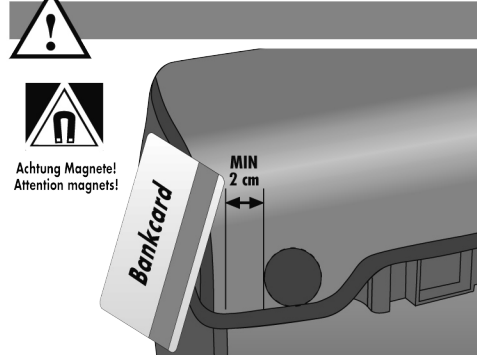
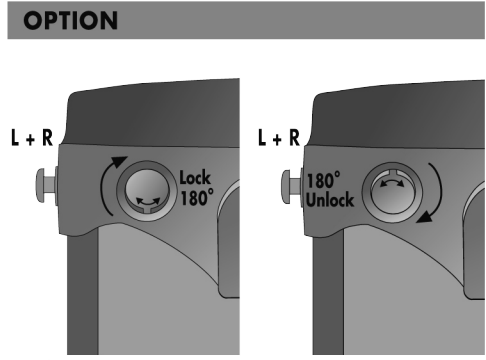
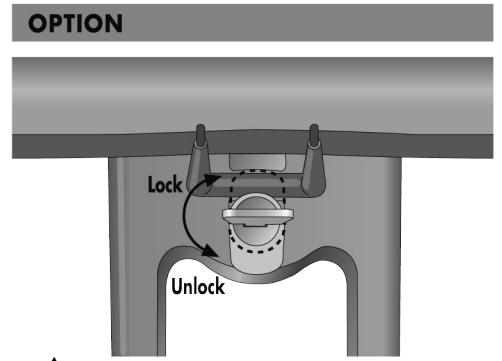
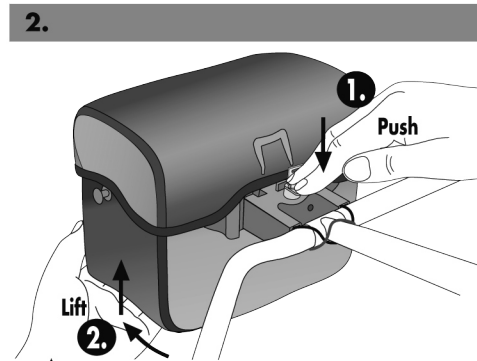
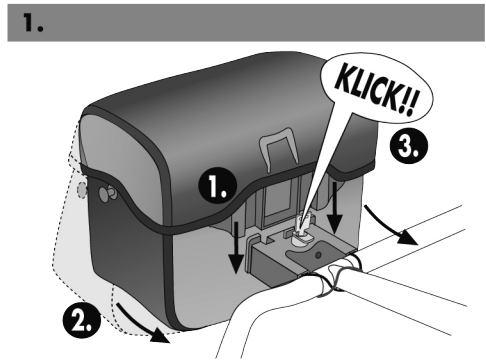
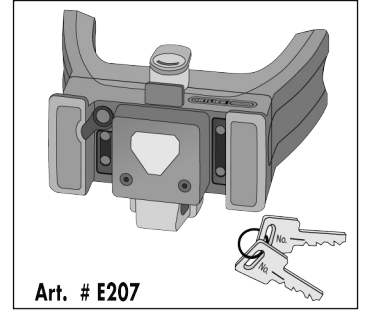
HANDLEBAR MOUNTING-SET WITH LOCK



HANDLEBAR MOUNTING-SET E-BIKE



HANDLEBAR MOUNTING-SET E-BIKE WITH LOCK



! max. 5 kg max. 5 kg

