

PRODUCT INFO

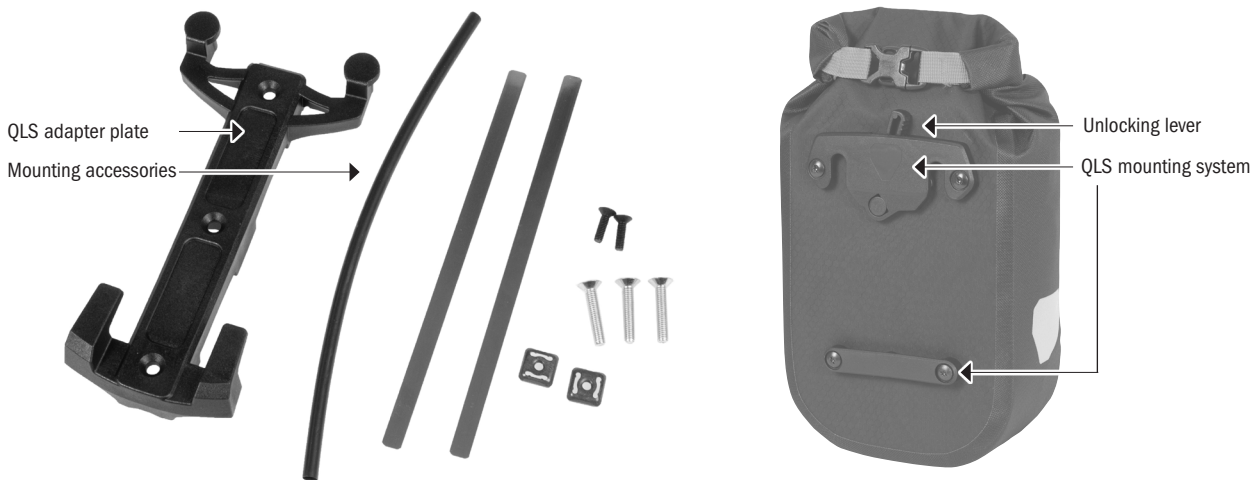
QUICK-LOCK S SYSTEM (QLS)

QLS adapter system for mounting smaller pockets on bicycle forks

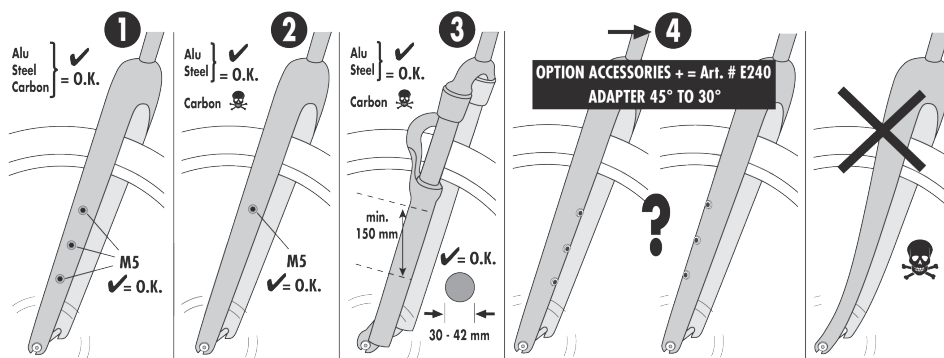
QLS system

PA

PVC free



Fork-Pack only available in a set with QLS adapter



weight g/oz.	max. load kg/lbs.
85/3,0	3/6

SPECIFICATIONS:

- + ORTLIEB Quick-Lock S adapter system (S=Small) for attaching smaller pockets to bicycle forks with screw fixings and tubes with constant diameter
- + Ideal for front fork or scooter handlebar tube
- + Either by direct mounting (thread in tube) or by means of two metal straps (on tubes with 30-42 mm diameter - included in delivery) the minimalist bracket is securely mounted
- + With one click, the bag snaps into place in a flash and can be removed just as easily
- + For quick removal, simply move the release lever at the top of the bag and pull the bag upwards
- + Maximum payload bag: 3 kg!

Quick-Lock S products: Quick-Lock S System installed on ORTLIEB Fork-Pack and Fork-Pack Plus

Attention: Not suitable for mounting on conical tubes

Contents:

As set: Fork-Pack or Fork-Pack Plus with QLS adapter plate incl. mounting accessories and screws, mounting instructions
 As accessory: QLS Mounting-Set Fork-Pack (Art. E235) e.g. for use on a second bike