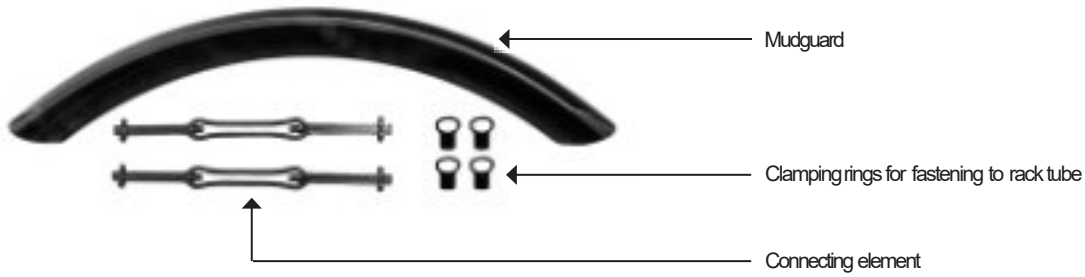


PRODUCT INFO

QUICK RACK MUDGUARD

Accessory for Quick Rack and Quick Rack Light



Application example:



Available in 3 versions:

Road (38mm)	Gravel (50mm)	MTB (72mm)
suitable up to max. 32mm	suitable up to max. 45mm	suitable up to max. 2,3"
26-28" tyres	26-28" tyres	26-29" tyres
Art.No. F78107	Art.No. F78108	Art.No. F78109



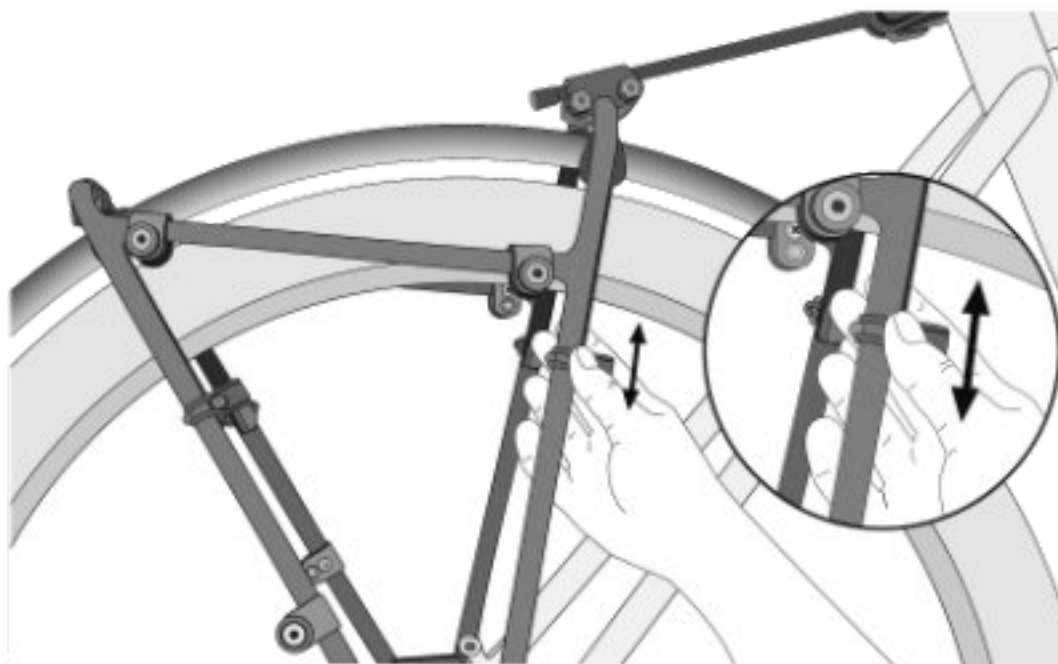
SPECIFICATIONS:

- + Mudguard for Quick Rack and Quick Rack Light
- + Available in 3 versions: Road, Gravel and MTB
- + Minimalist look seamlessly integrates to the design of the Quick Rack
- + Quick mounting thanks to tool-free and individually adjustable fixing points on the vertical struts secured with silicone clamping rings
- + Adjustable position so you can optimize protection

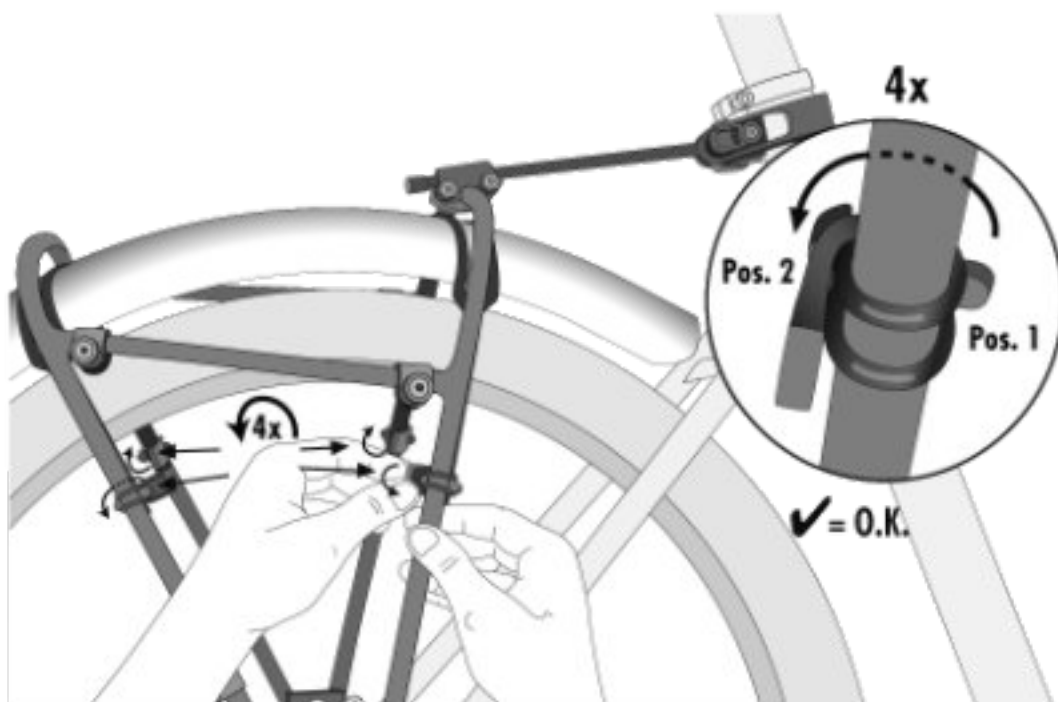
Contents: Mudguard Road (38mm), Gravel (50mm) or MTB (72mm)

Note: Follow mounting instructions

3.3 ADJUST HEIGHT AS NEEDED



3.4 SECURE SILICON RINGS ON 2ND STUD



QUICK RACK MUDGUARD

ORTLIEB WATERPROOF

- DE MONTAGEANLEITUNG
- GB ASSEMBLY INSTRUCTIONS
- FR INSTRUCTIONS DE MONTAGE
- IT ISTRUZIONI DI MONTAGGIO
- NL MONTAGE HANDLEIDING
- DK MONTERINGSVEJLEDNING
- ES INSTRUCCIONES DE MONTAJE
- SE MONTERINGSANVISNING
- NO MONTERINGSANVISNING
- FI ASENNUSOHJEET
- PL INSTRUKCJA MONTAŻU
- JP 装着方法



Only suitable for Ortlieb Quick Rack & Quick Rack Light
Check positioning before riding (min. every 100KM)



Road
Art. No. F78107
38 mm
max. 32/700c



Gravel/Trekking
Art. No. F78108
50 mm
max. 45/700c



MTB
Art. No. F78109
72 mm
max. 2,3"/29"



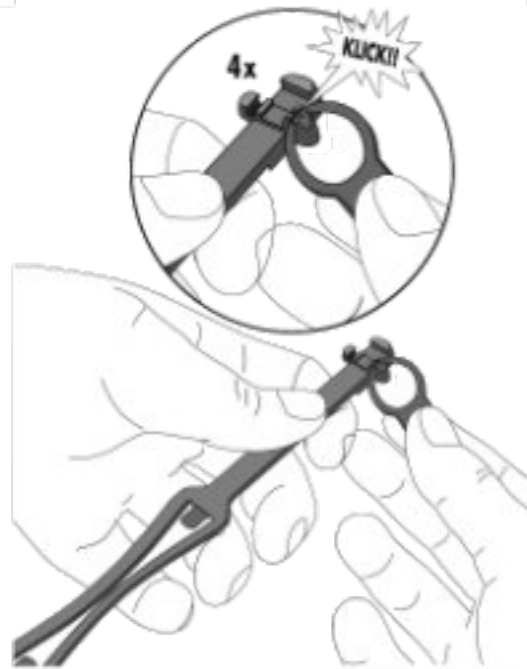
WEITERE INFORMATIONEN:
MORE INFORMATION:
<https://youtu.be/dlt1ScUPC-c>



1.1 STRETCH SILICON RINGS (2cm)



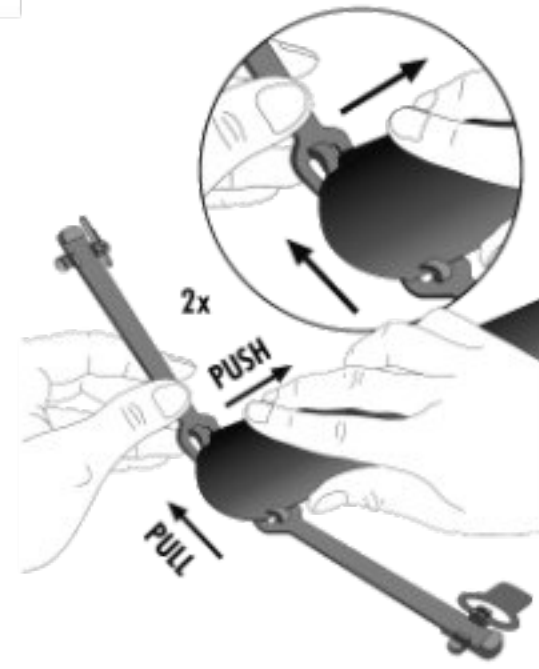
1.2 MOUNT SILICON RINGS



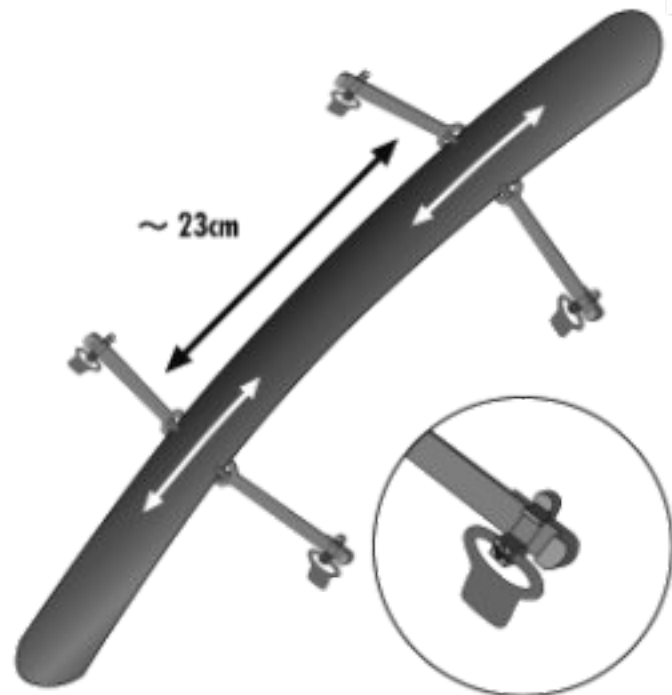
2.1 CHECK IF CLEAN



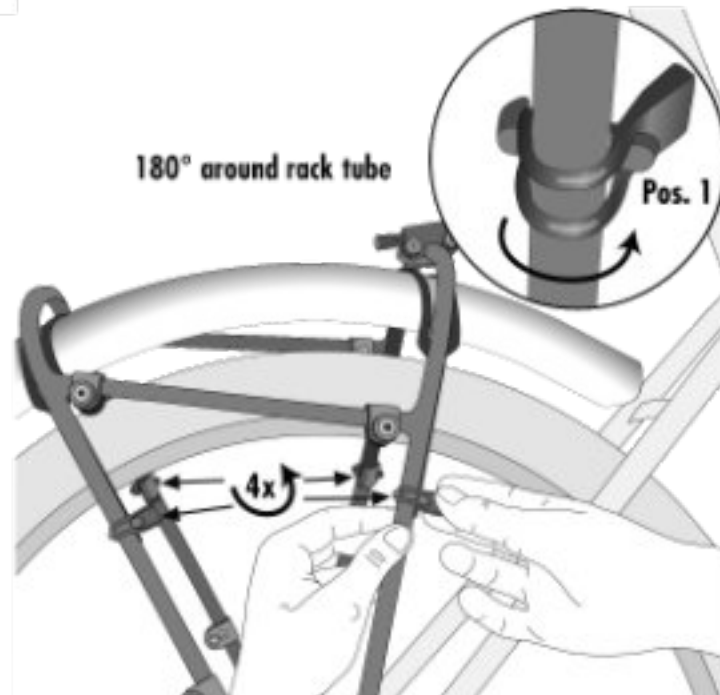
2.2 SLIDE MUDGUARD STAYS ON



2.3 ADJUST STAY POSITION AS NEEDED



3.1 ATTACH SILICON RINGS TO 1ST STUD



3.2 CONFIRM TIRE CLEARANCE (>=15mm)

