

PRODUCT INFO

SPORT-ROLLER CLASSIC

Low rider pannier or rear pannier (single) with QL2.1 system



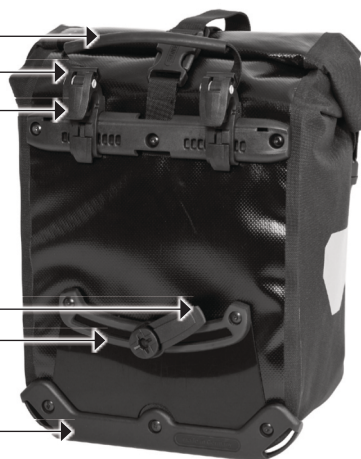
Additional closure with buckle and D-ring (when the bag is carried with the shoulder strap)

Buckles for closing the rolling closure at the top or for attaching the shoulder strap

High-quality 3M Scotchlite reflector

Shoulder strap with padding for comfortable carrying or for fixing to the hook

Release handle for mounting and releasing the QL2.1 system
 Automatically locking QL2.1 hooks with 16 mm diameter
 Exchangeable hook inserts in sizes 8, 10 and 12 mm



Slidable and rotatable hook (15° steps) with anti-scratch function
 Hook rail made of two-component synthetic with anti-scratch function

Edge protector with slots for mounting the Carrying System Bike Pannier

Height cm/in	Width cm/ in	Depth cm/ in	Volume Litre	Weight grams	Max. capacity kg
30/11.8	25/9.8	14/5.5	12.5	795	9

SPECIFICATIONS:

- + Classical pannier bag with roll closure
- + Can be used individually or as pairs for the rear or low rider front
- + Sides of PS490, front and back of PD620
- + QL2.1 system for racks up to 16 mm
- + 18 mm & 20 mm hook available as separate accessory (e.g. for e-bikes)
- + Including reduction pieces for tube diameters 8, 10 and 12 mm; with anti-scratch function reducing abrasions on rack
- + Top QL hooks and lower sliding hook adjustable without requiring any tools
- + Lower hook rail made of two-component „hard-soft“ synthetic reduces abrasions on carrier
- + Including integrated inner pocket and shoulder strap
- + Symmetrical shape allows use on right or left side
- + Can be combined on the rack with ORTLIEBRack-Packsize 24 L or 31 L
- + Highly reflective Scotchlite reflector
- + Ideal for use on children's/youth bicycles
- + Easy to clean inside

Contents: Pannier supplied as a single with shoulder strap and reduction inserts for 8, 10 and 12 mm

Optional accessories: Carrying System Bike Pannier, Anti-Theft-Device (E124), Outer Pocket 2, 1 L, Mesh-Pocket, Bottle-Cage, QL2.1 hook 18mm (E211) & 20mm (E193)

Attention: Maximum load per pannier is 9kg / 20 lbs. We recommend weighing each loaded pannier to confirm that the maximum allowance of the pannier fixation is not exceeded. This practice is advised for both rear and front panniers. CAUTION: The maximum weight capacity of every carrier model is different. Please observe the maximum weight allowance of the carrier fitted to your bicycle. Note: Sometimes the maximum capacity of the panniers fixing system can exceed the maximum capacity of the carrier. DO NOT exceed the maximum capacity of the carrier! Note, that the use of panniers will significantly influence the handling properties of your bicycle.

Attention: As abrasion cannot be ruled out, we recommend that all points where the mounting system contacts the bicycle rack or frame be protected by scratch protection film.

Note: In order to meet standard IP64 (6=dustproof 4=protected against splash water coming from all directions) the lid must be rolled 3-4 times.

QL2.1-SYSTEM

DE MONTAGEANLEITUNG
 GB ASSEMBLY INSTRUCTIONS
 FR INSTRUCTIONS DE MONTAGE

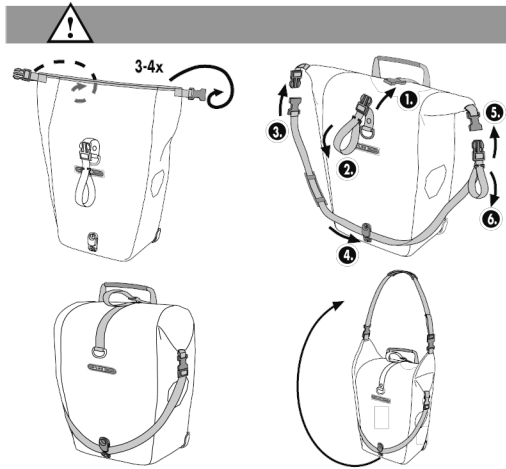
IT ISTRUZIONI DI MONTAGGIO
 NL MONTAGE HANDLEIDING
 DK MONTERINGSVEJLEDNING

ES INSTRUCCIONES DE MONTAJE
 SE MONTERINGS ANVISNING
 NO MONTERINGS ANVISNING

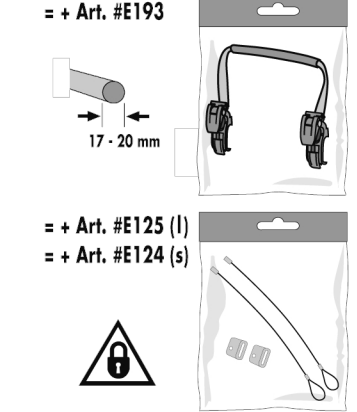
FI ASENNUSOHJEET
 PL INSTRUKCJA MONTAZU
 JP 装着方法



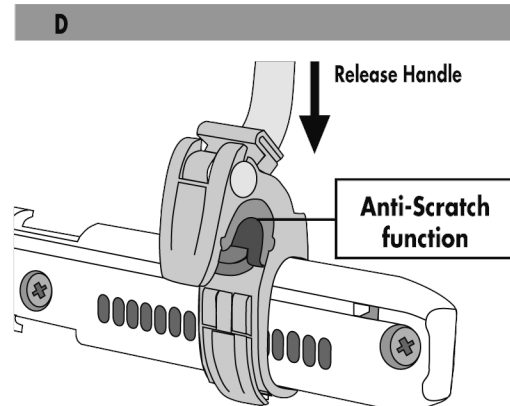
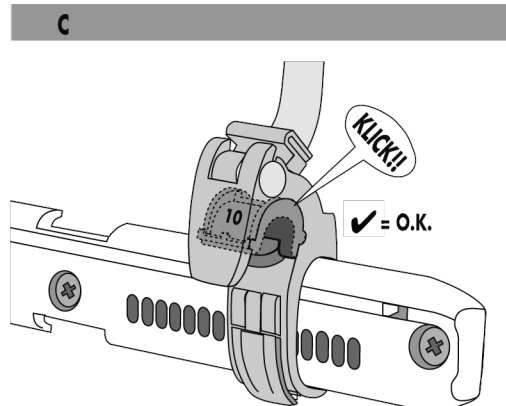
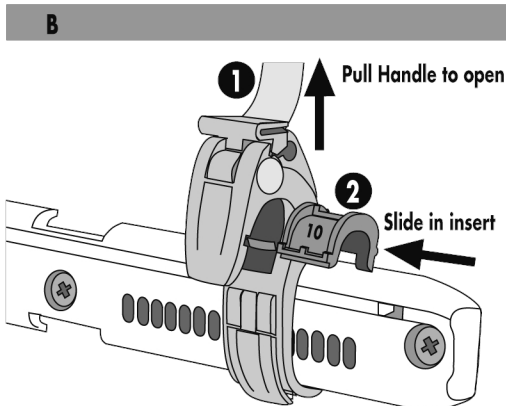
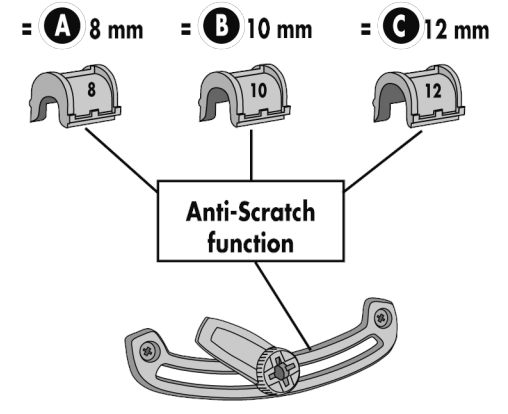
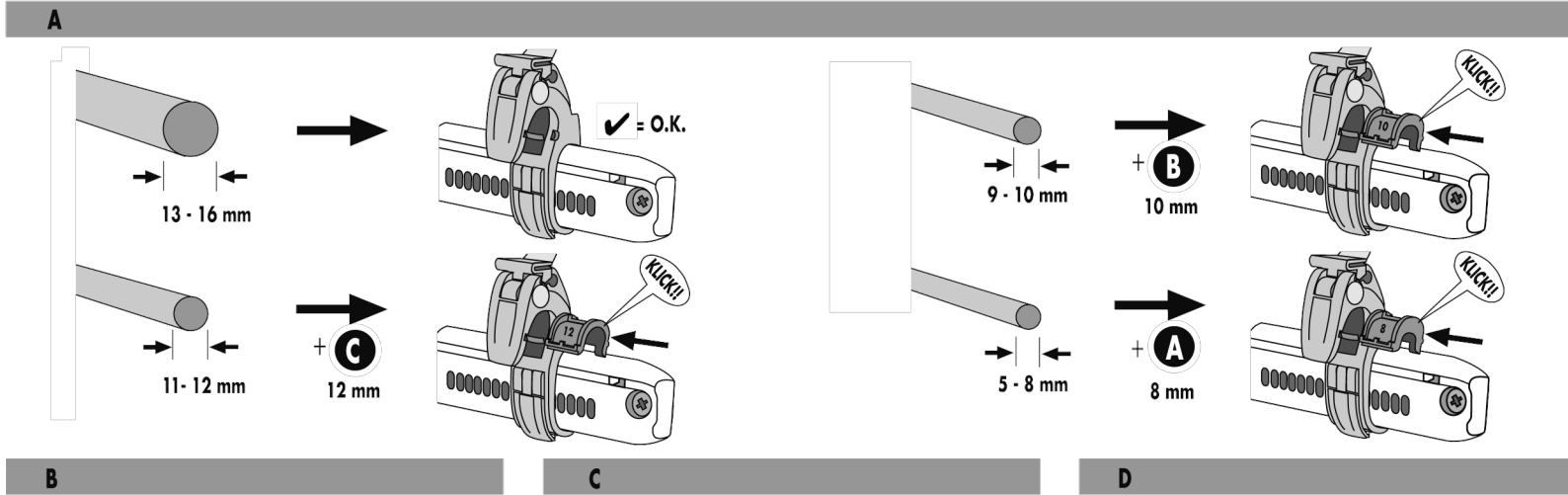
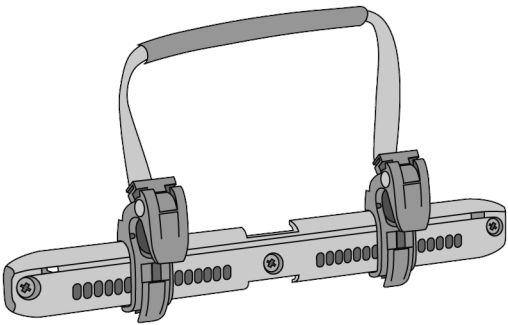
QL2.1 - MODELS



ACCESSORIES



QL2.1



E

F

K

G

UM KRATZER ZU VERMEIDEN, BENUTZE RAHMENSCHUTZFOLIE AN DEN KONTAKTSTELLEN (nicht beinhaltet)
TO AVOID SCRATCHES, USE ADHESIVE FRAME PROTECTION AT CONTACT POINTS (not included)

Anti-Scratch function

H

QL2.1-SYSTEM

Option 1

Option 2

I

J

Anti-Scratch function

Option 2

Option 2

→ = N° 4!

inside of bag

inside of bag

close

- 1.) 100 km (60 Miles)
- 2.) 500 km (300 Miles)
- 3.) 1000 km (600 Miles)
- 4.) 1500 km (900 Miles)
- etc.