

PRODUCT INFO

FUEL-PACK

Waterproof top tube bag with magnetic lid closure



Application example



Inside view

height cm/in.	width cm/in.	depth cm/in.	vol. L/cu.in.	weight g/oz.	max. load kg/lbs.
12/4.7	21/8.3	8,5/3.3	1/61	160/5.6	1/2.2

SPECIFICATIONS:

- + Compact, waterproof top tube bag with magnetic lid closure for quick access
- + Mounting is possible with perforated straps or directly on the top tube
- + Bag lid has integrated cable outlet
- + Stiffened bag body with mesh inner pocket
- + Abrasion-resistant, PU-coated nylon fabric
- + Suitable for mounting on carbon frames

Contents: Top tube bag incl. mounting hardware

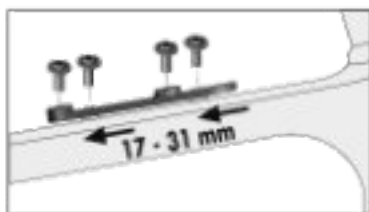
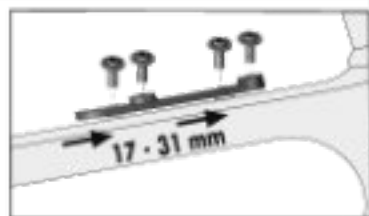
Optional accessory: Offset Plate (F9964) for direct mounting when the thread in the bike frame is not optimally positioned; O-Straps 14,5/200mm (F9965) for mounting at >60mm tube diameter; O-Strap Bottle Cage Mount (F9966)

Note: In order to meet standard IP53 (5=protected against dust, 3=protected against spray water max. 60° to the vertical) the closure must be completely closed.

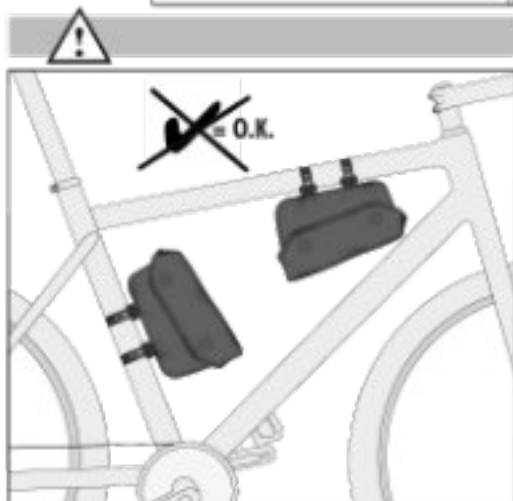
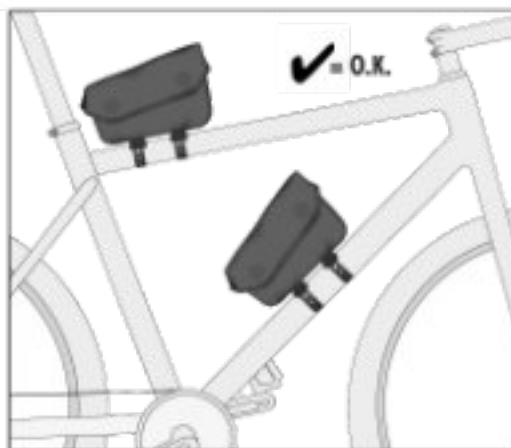


3.1 ACCESSORY

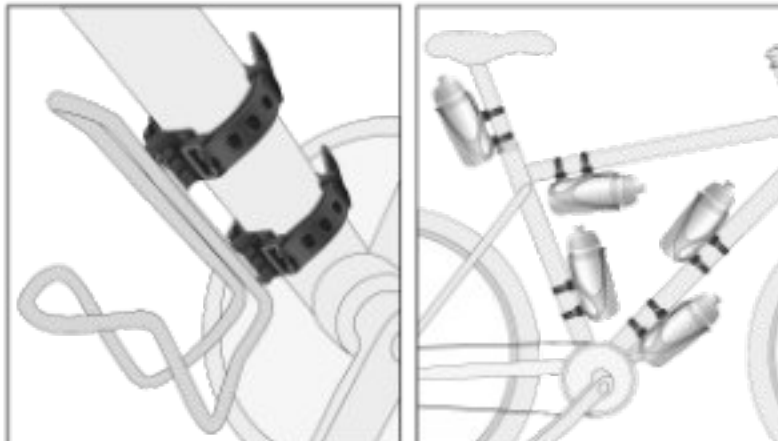
F9964
Offset-Plate
64 mm



OPTION



4.1 ADDITIONAL USE OR ACCESSORY: BOTTLE CAGE MOUNT

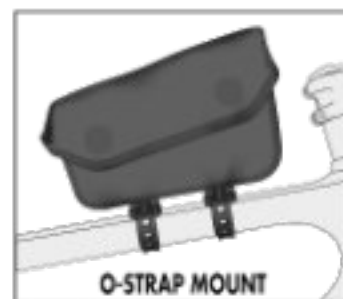


FUEL-PACK

O-STRAP BOTTLE CAGE MOUNT (see 4.1.)

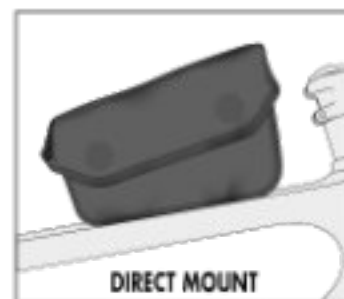
ORTLIEB WATERPROOF

- DE MONTAGEANLEITUNG
- GB ASSEMBLY INSTRUCTIONS
- FR INSTRUCTIONS DE MONTAGE
- IT ISTRUZIONI DI MONTAGGIO
- NL MONTAGE HANDLEIDING
- DK MONTERINGSVEJLEDNING
- ES INSTRUCCIONES DE MONTAJE
- SE MONTERINGSANVISNING
- NO MONTERINGSANVISNING
- FI ASENNUSOHJEET
- PL INSTRUKCJA MONTAŻU
- JP 装着方法



O-STRAP MOUNT

OPTION 1 (1.1 - 1-6)



DIRECT MOUNT

OPTION 2 (2.1 - 2.4)

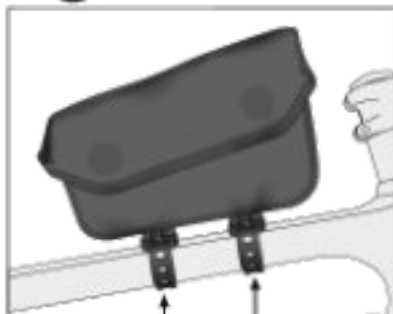


BOTTLE CAGE MOUNT

OPTION 3 (4.1)



1.1 O-STRAP MOUNT

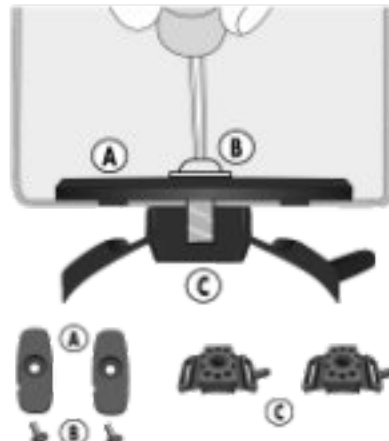
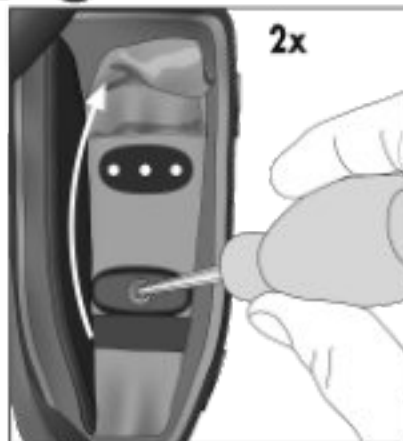


UM KRATZER ZU VERMEIDEN, BENUTZE RAHMENSCHUTZ-FOLIE AN DEN KONTAKTSTELLEN (nicht beilieghet)
TO AVOID SCRATCHES, USE ADHESIVE FRAME PROTECTION AT CONTACT POINTS (not included)

1.2



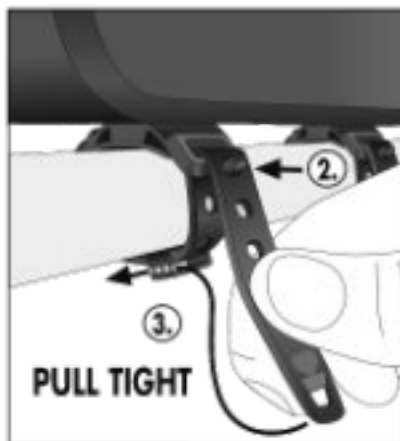
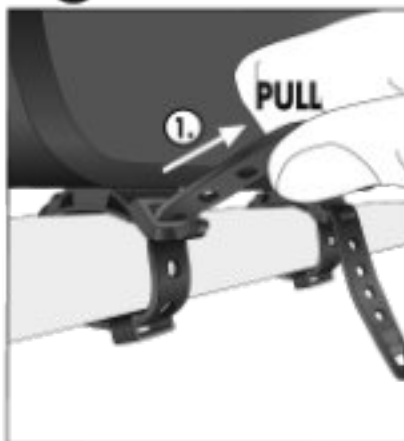
1.3



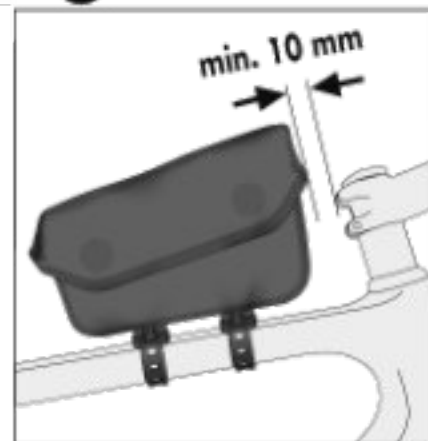
1.4



1.5 MOUNT



1.6



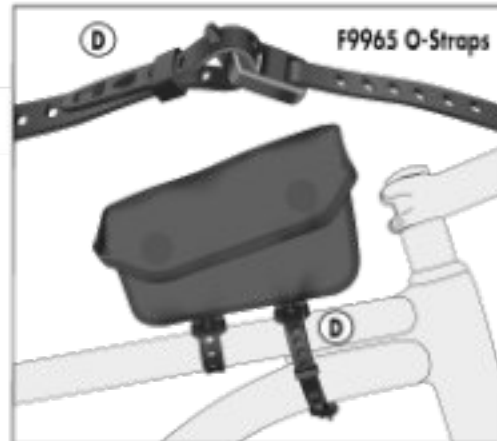
! ACCESSORY



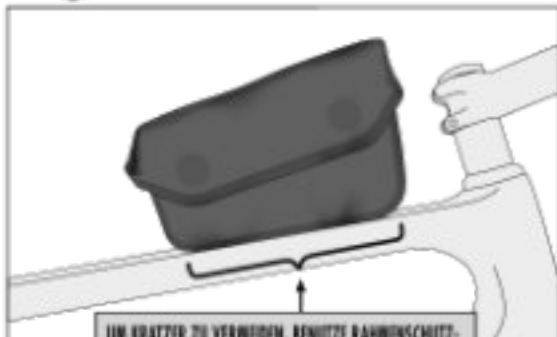
> 60 mm
USE



F9965 O-Straps
14,5/200 mm
as extension

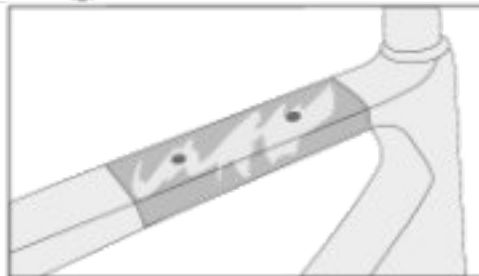


2.1 DIRECT MOUNT

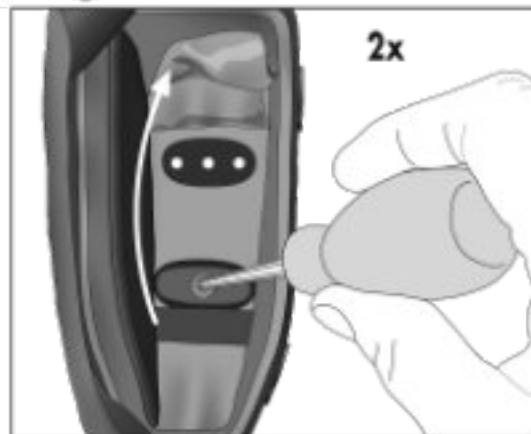


UM KRATZER ZU VERMEIDEN, BENUTZE RAHMENSCHUTZ-FOLIE AN DEN KONTAKTSTELLEN (nicht beilieghet)
TO AVOID SCRATCHES, USE ADHESIVE FRAME PROTECTION AT CONTACT POINTS (not included)

2.2



2.3



2.4

