

PRODUCT INFO



FRAME-PACK TOPTUBE

Waterproof Toptube Framebag in two sizes



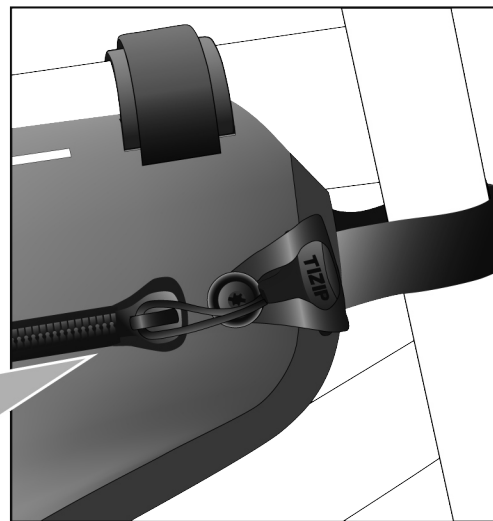
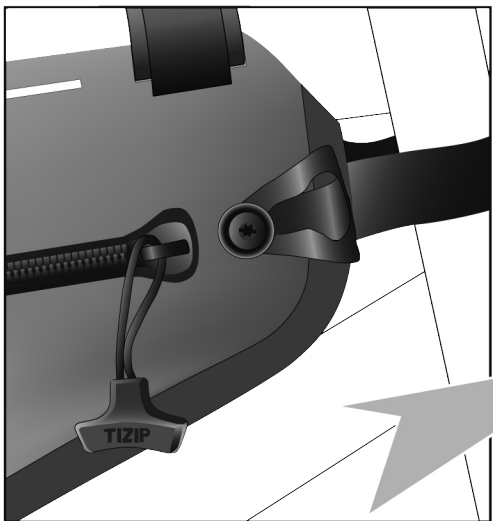
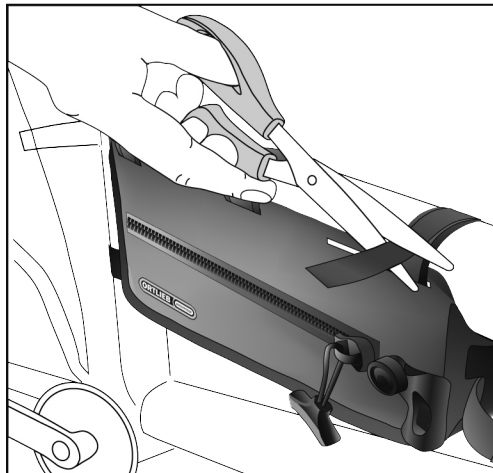
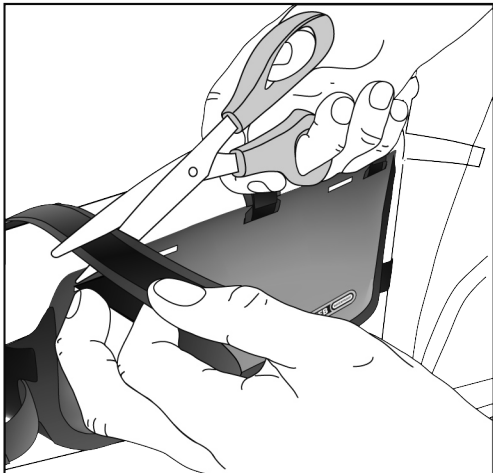
height cm/in.	width cm/in.	depth cm/in.	vol. L/cu.in.	weight g/oz.	max. load kg/lbs.
15/5.9	40/15.7	6/2.4	3/183	170/6.0	3/6.6
13/5.1	50/19.7	6/2.4	4/244	200/7.1	3/6.6

SPECIFICATIONS:

- + Waterproof toptube framepack with TIZIP zipper (updated version) in two sizes
- + Ideal pack for bikepacking, alp crossing and trekking tours
- + Light weight, sturdy PU laminated rip stop nylon fabric
- + Suitable for heavy gear such as tools, tent poles, food etc.
- + Allows fixing of drinking bottle and transport of gear on frame
- + Ideal for full suspension bikes with limited space due to the vertical absorber
- + 3 strong individually positionable hook and loop fasteners for mounting to top frame tube
- + Hook and loop fasteners suitable for tube diameter from 30 mm to 70 mm; protruding hook and loop fasteners can be easily shortened
- + 2 individually positionable hook and loop fasteners for saddle and/or down tube
- + Can be mounted to carbon frames
- + Even weight distribution on bicycle
- + Waterproof TIZIP zipper (updated version) on the right side

Contents: Frame-Pack with hook and loop fasteners

Note: In order to meet standard IP67 (6=dustproof, 7=protected against penetration of water coming during temporary immersion; depth 1 m/39 in./lower edge of product; duration 30 minutes) the zipper must be completely closed.

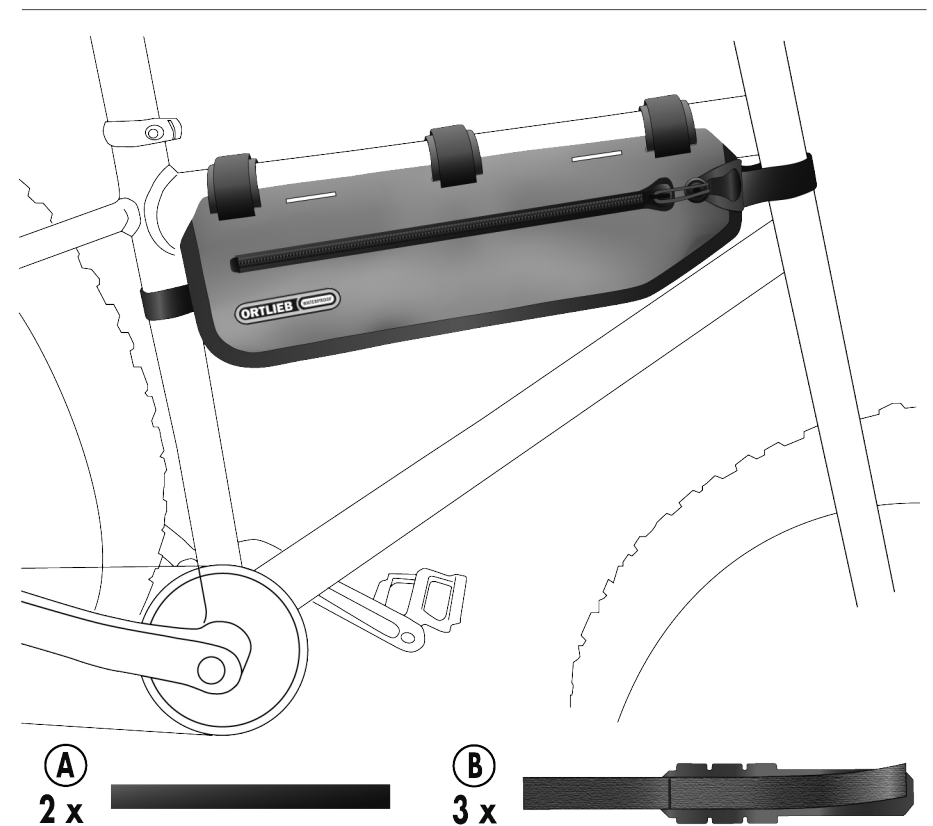


FRAME-PACK TOPTUBE



- DE MONTAGEANLEITUNG
- GB ASSEMBLY INSTRUCTIONS
- FR INSTRUCTIONS DE MONTAGE
- IT ISTRUZIONI DI MONTAGGIO
- NL MONTAGE HANDLEIDING
- DK MONTERINGSVEJLEDNING

- ES INSTRUCCIONES DE MONTAJE
- SE MONTERINGSANVISNING
- NO MONTERINGSANVISNING
- FI ASENNUSOHJEET
- PL INSTRUKCJA MONTAZU
- JP 装着方法



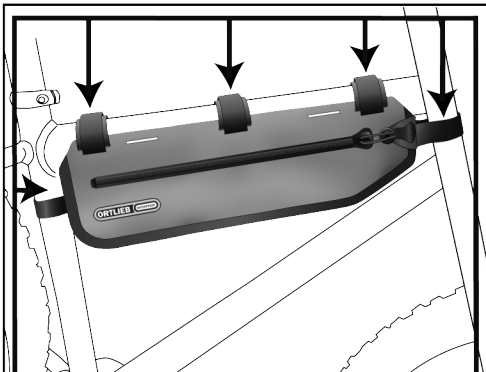
WEITERE INFORMATIONEN:
 MORE INFORMATION:

<https://www.youtube.com/watch?v=CuMWYUYhSoM>

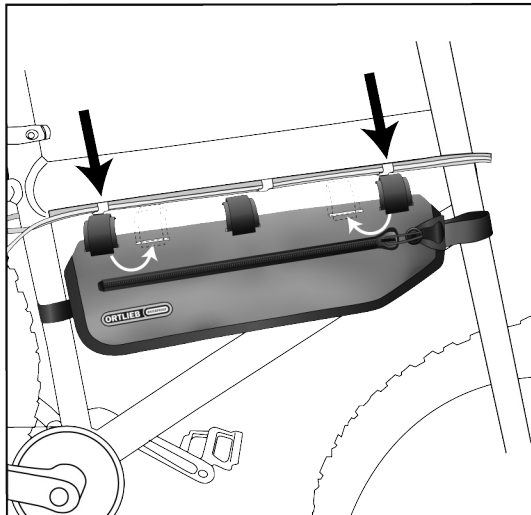
www.ortlieb.com



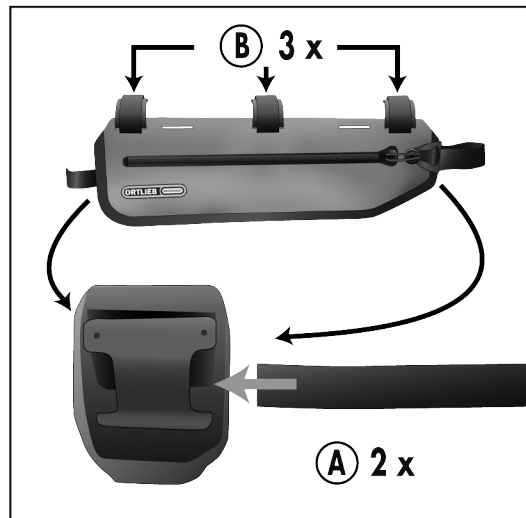
WA1394521



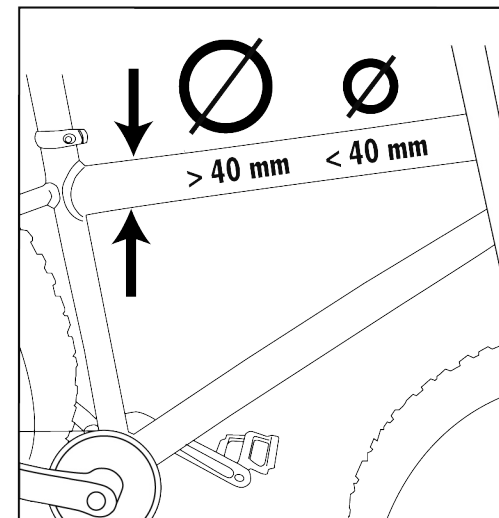
UM KRATZER ZU VERMEIDEN, BENUTZE RAHMENSCHUTZFOLIE AN DEN KONTAKTSTELLEN (nicht beinhaltet)
 TO AVOID SCRATCHES, USE ADHESIVE FRAME PROTECTION AT CONTACT POINTS (not included)



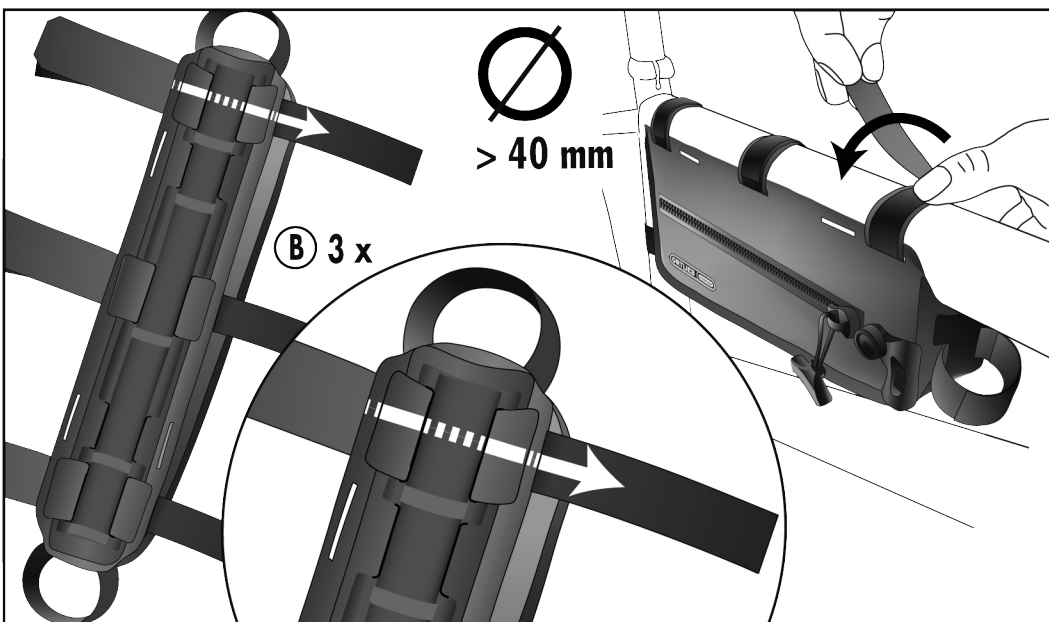
1.2



1.3



1.3 (> 40 mm)



1.3 (< 40 mm)

