

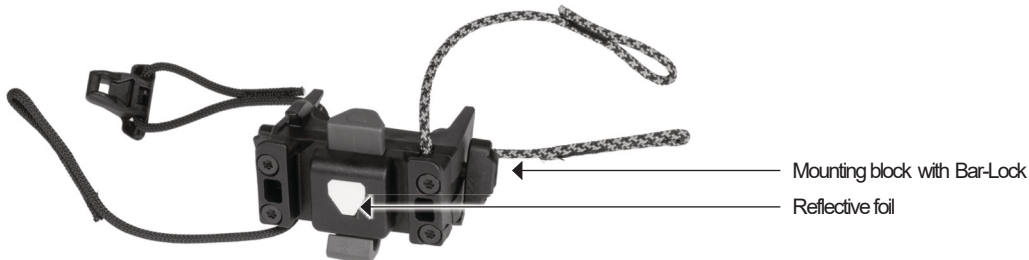
PRODUCT INFO

HANDLEBAR MOUNTING-SET QR

Mounting system with cable fastening system Bar-Lock

PVC free

PA



View in installed condition



Example of use with Ultimate

article code	weight g/oz.	maximum load kg/ lbs.
E241	150/5.3z	5/11

SPECIFICATIONS:

- + Mounting block with Bar-Lock rope attachment system (QR- Quick Release) for ORTLIEB handlebarbags and baskets
- + For handlebars up to 35 mm diameter
- + Reflective foil on the front
- + Bracket also compatible with bags and baskets of other brands
- + Included Protective Caps for mounting on carbon handlebars

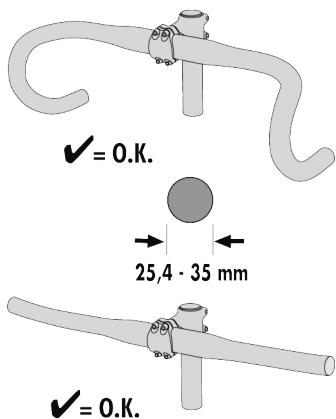
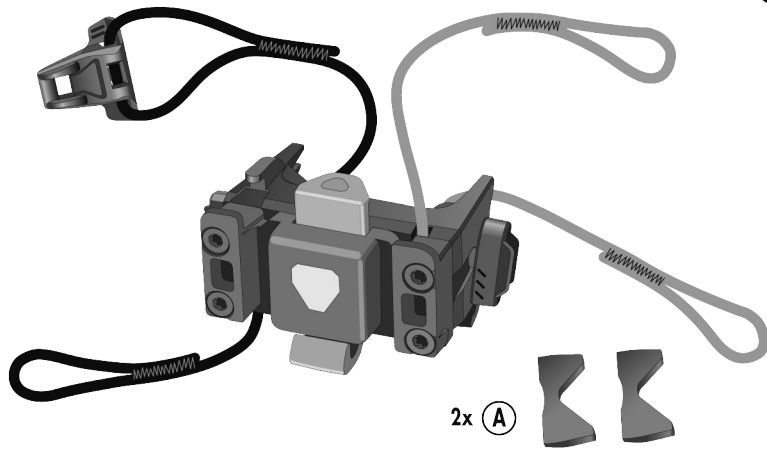
Contents: Mounting system with cable fastening system Bar-Lock and Protective Cap Handlebar-Pack QR



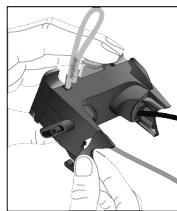
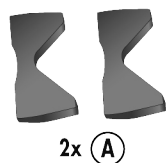
HANDLEBAR MOUNTING SET QR



- DE MONTAGEANLEITUNG
- GB ASSEMBLY INSTRUCTIONS
- FR INSTRUCTIONS DE MONTAGE
- IT ISTRUZIONI DI MONTAGGIO
- NL MONTAGE HANDLEIDING
- DK MONTERINGSVEJLEDNING
- ES INSTRUCCIONES DE MONTAJE
- SE MONTERINGS ANVISNING
- NO MONTERINGS ANVISNING
- FI ASENNUSOHJEET
- PL INSTRUKCJA MONTAŻU
- JP 装着方法

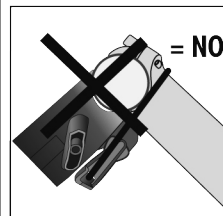
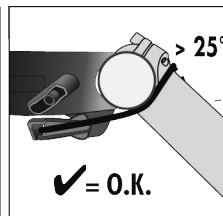


Nicht ohne "Schutzkappen" (A) am Carbonlenker verwenden!
Do not use on a carbon handlebar without first installing the "Protective Caps" (A)!

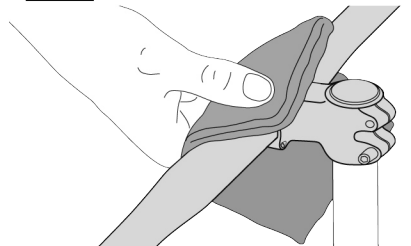


HINWEIS: Oberflächliche Spuren im Lack können dabei dennoch entstehen. Überprüfe vor jeder Verwendung des Mounting Set QR den korrekten Sitz der "Schutzkappen".

NOTE: Some superficial abrasion may occur. Confirm fitment of "Protective Caps" with each installation of the Mounting Set QR.



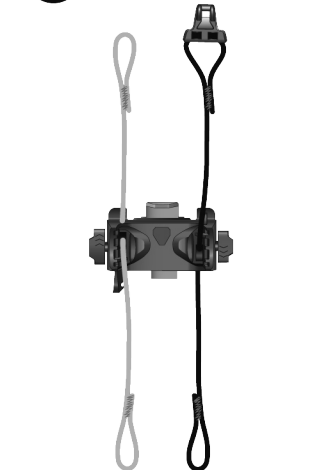
CLEAN FIRST



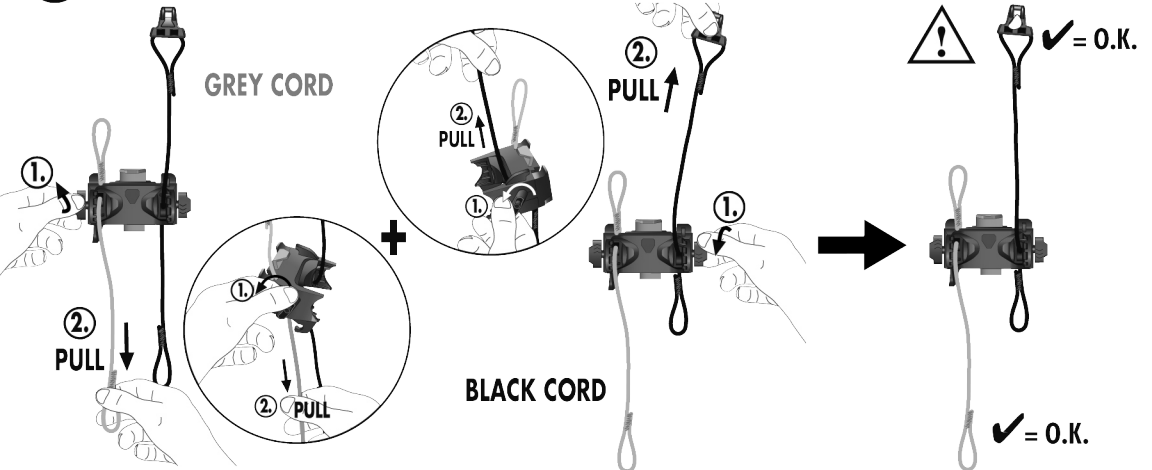
HINWEIS: Bei starker Nutzung des Produkts kann es möglicherweise zu leichterem Abrieb der Farbe an der Oberfläche von Lenker und Vorbau kommen. Um diese Abnutzung zu minimieren, entfernen Sie bitte Schmutz oder Sand an den Kontaktstellen, bevor Sie die Tasche am Fahrrad befestigen.

NOTE: Use of this product may cosmetically blemish the surface of the handlebar and stem. To minimize wear please remove any dirt or grit off of the contact points prior to fixing to bike.

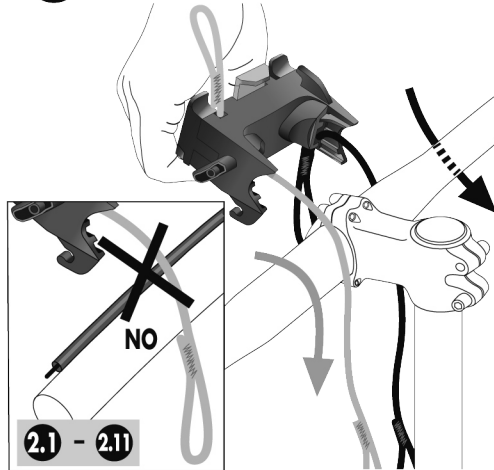
1.1 INITIAL ADJUSTMENT



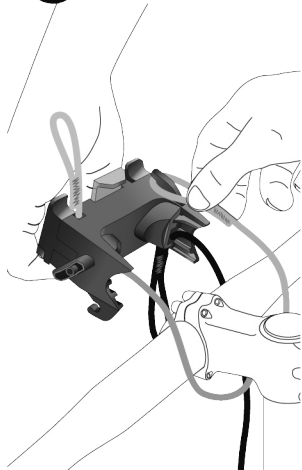
1.2 ADJUST GREY / BLACK CORD



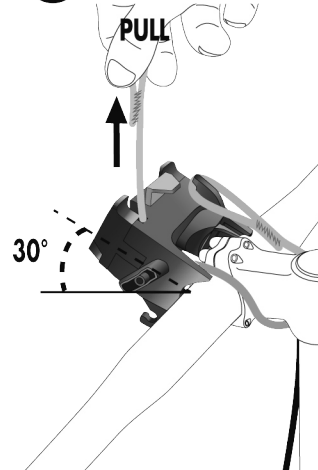
2.1 FIX GREY / BLACK CORD



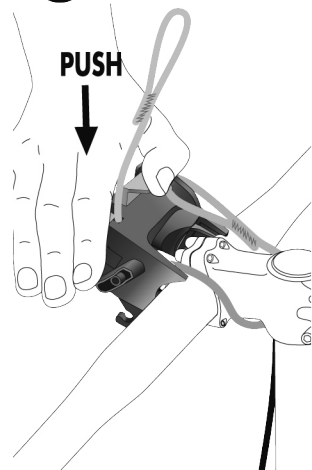
2.2 FIX GREY CORD



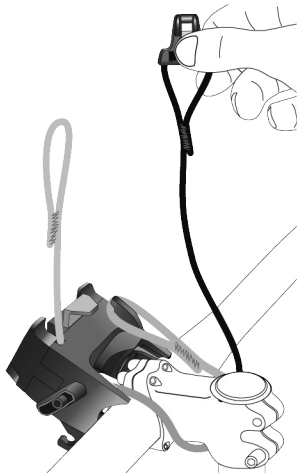
2.3 FIX GREY CORD



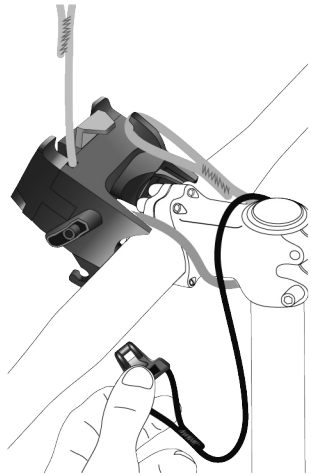
2.4 FIX GREY CORD



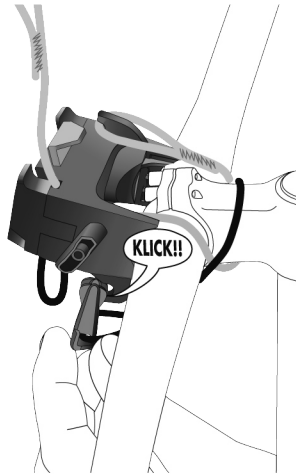
2.5 FIX BLACK CORD



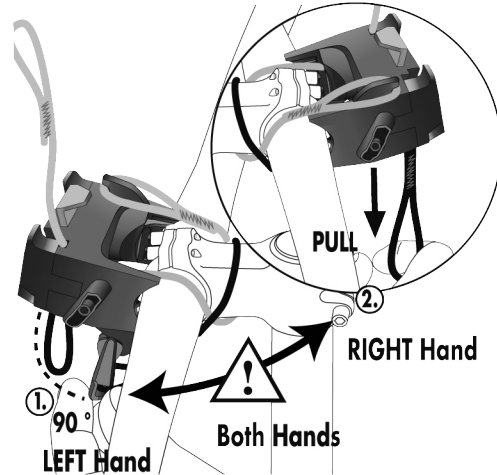
2.6 FIX BLACK CORD



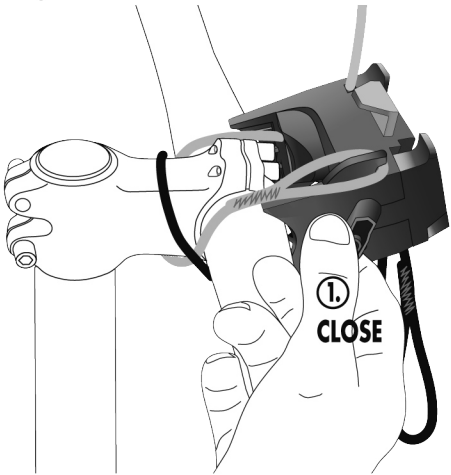
2.7 FIX BLACK CORD



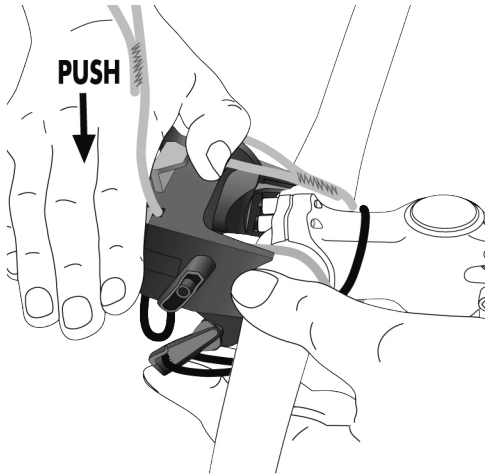
2.8 FIX BLACK CORD



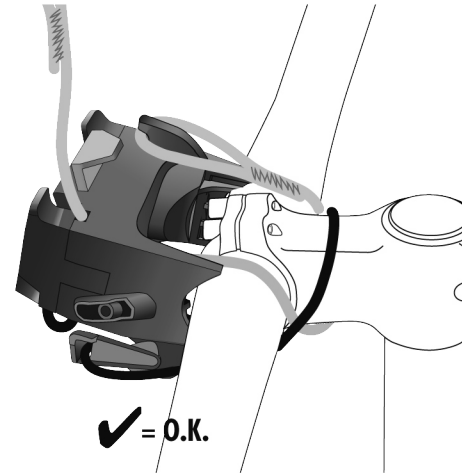
2.9 FIX BLACK CORD



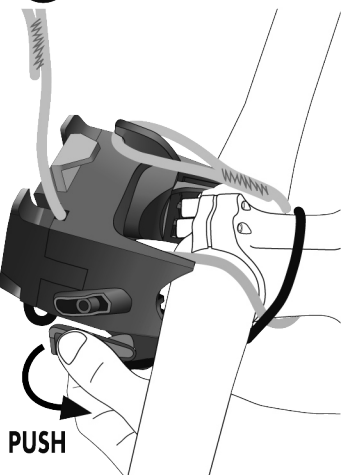
2.10 ATTACH BLACK CORD



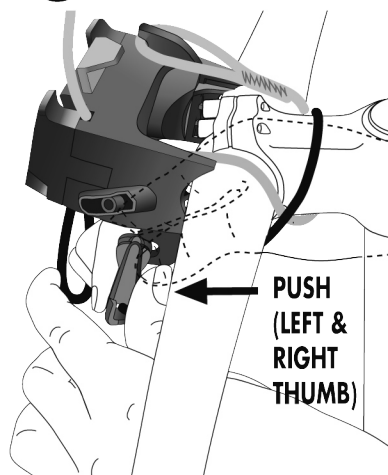
2.11 ✓ = O.K.



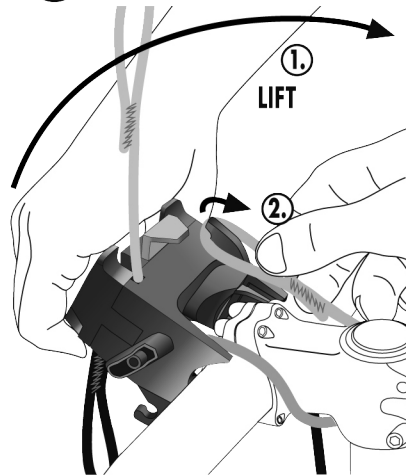
3.1 REMOVE



3.2 REMOVE



3.3 REMOVE



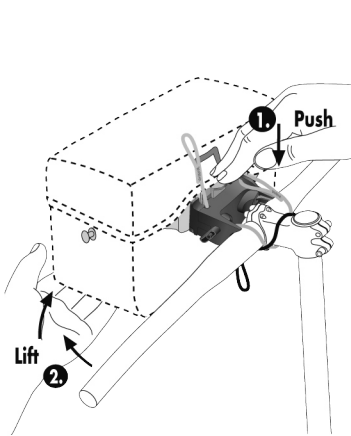
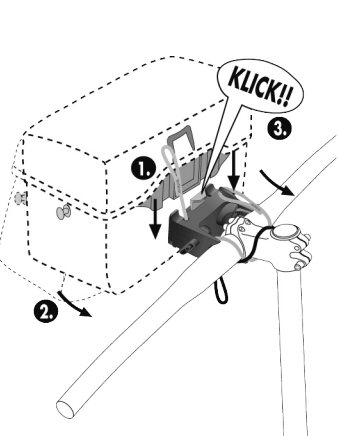
3.4

ADJUSTED GREY / BLACK CORD

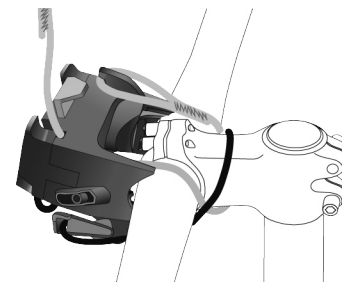
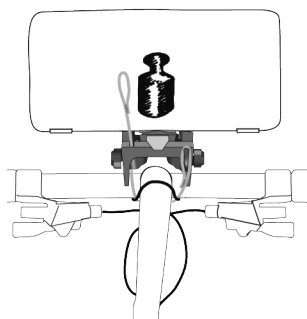
READY FOR NEXT INSTALLATION!



READJUST BLACK CORD



max. 5 kg



2.8 & **2.9**

- 1.) 10 km (6 Miles)
- 2.) 50 km (30 Miles)
- 3.) 100 km (60 Miles)
- 4.) 200 km (120 Miles)
- etc.

COMPATIBILITY CHART FOR HANDLEBAR BAGS AND MOUNTING SETS



Welche Halterung passt zu welcher Lenkertasche? / Which mounting kit fits which handlebar bag?

	Mounting Set Ult. Five	Mounting Set Ult. Six Pro E	Mounting Set with / without lock	Mounting Set E-Bike with / without lock	Handlebar Mounting Set QR	Rixen & Kaul
ULTIMATE 2 	-*	X	X	X	X	X
ULTIMATE 3 	✓	-**	-**	✓	✓	✓
ULTIMATE 4 	✓	-**	-**	✓	✓	✓
ULTIMATE 5 	✓	-**	-**	✓	✓	✓
ULTIMATE 6 	✓	✓	✓	✓	✓	✓
6 PRO/ E 	✓	✓	✓	✓	✓	✓
COMPACT 	X	✓	✓	✓	✓	✓
E-GLOW 	✓	✓	✓	✓	✓	✓
BARISTA 	X	✓	✓	✓	✓	✓
VELO-POCKET 	X	✓	✓	✓	✓	✓
UP-TOWN 	X	✓	✓	✓	✓	✓
HANDLEBAR-PACK PLUS 	X	✓	✓	✓	✓	✓
SUPPORT 	X	✓	✓	X	X	X
EXTENSION 	✓	✓	✓	X	X	X

* Schwer zu entfernen / Hard to remove

** Kann falsch eingehakt werden / Can be hooked incorrectly



BUILT TO ENDURE.
WATERPROOF.
MADE IN GERMANY.