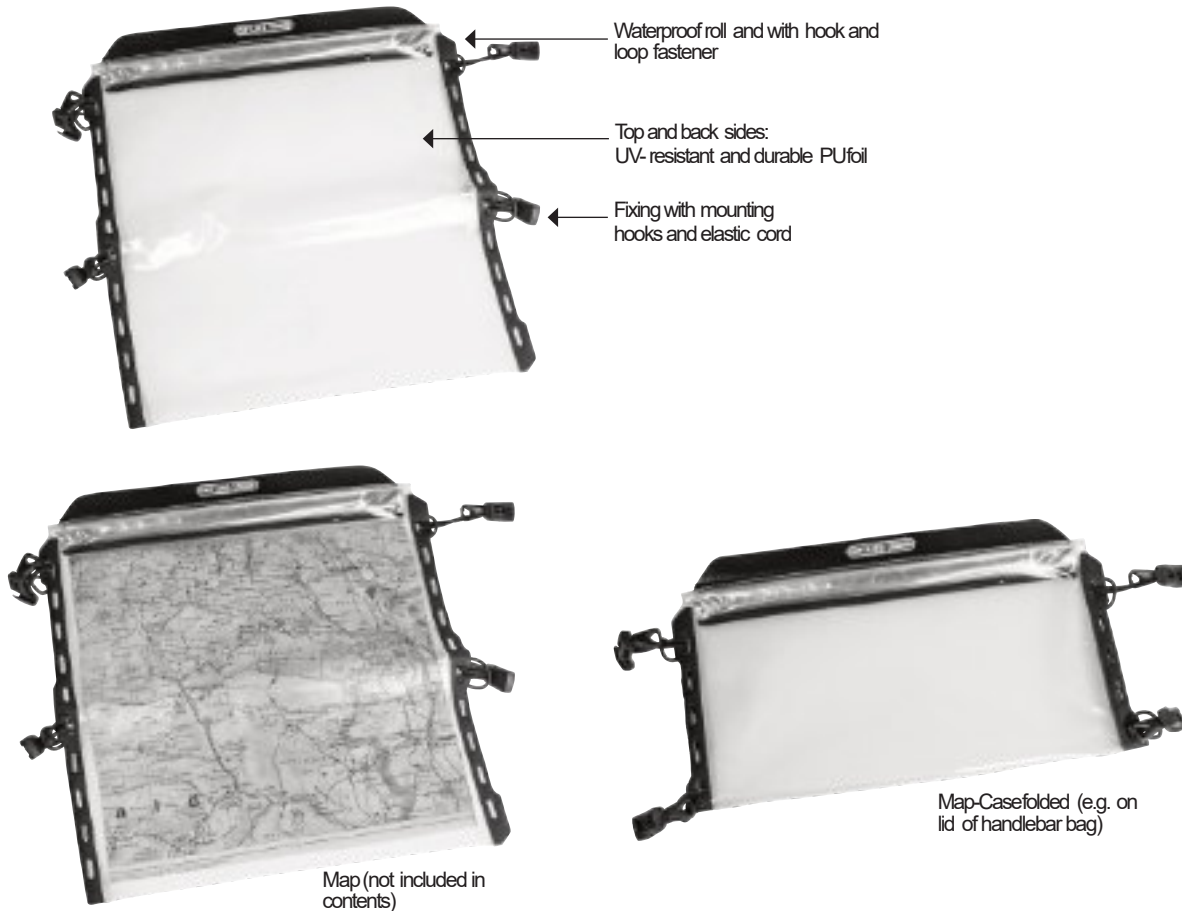


PRODUCT INFO



ULTIMATE SIX MAP- CASE

Map-Case with clip for all Ultimate handlebar bags



height cm/in	width cm/in	weight g/oz.
28/11	27/10.6	84/2.9

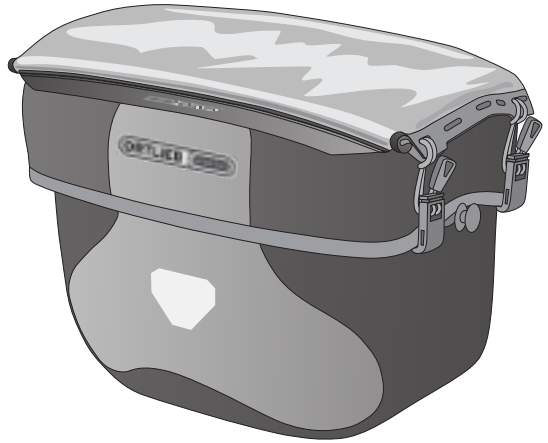
SPECIFICATIONS:

- + Waterproof mapcase with roll closure and hook and loop fastener
- + Compatible with all handlebar bags Ultimate (except Ultimate Six Compact and 5 L versions)
- + Mounting on handlebar bag lid by means of four hooks and elastic adjustable cords
- + Transparent front and back made of tear and UV resistant PU-foil
- + Can be folded and used on both sides
- + Mapcase can be fixed with extra hook and loop fastener around bar stem
- + Usable interior dimensions: 11 x 10.6 in (28 x 27 cm)

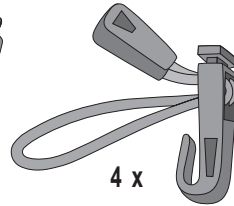
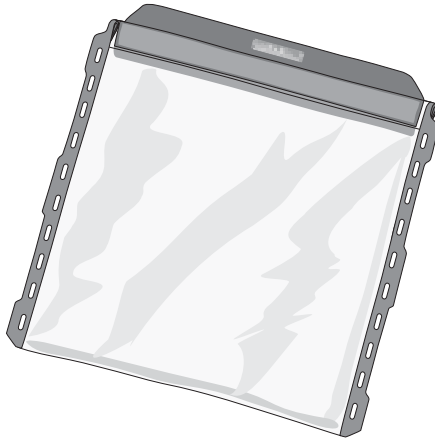
Contents: Map-Case comes with mounting hooks and elastic cords

Note: In order to meet standard IP64 (6=dustproof, 4=protected against splash water coming from all directions) the roll closure with hook and loop fastener must be closed along the entire length of the product.

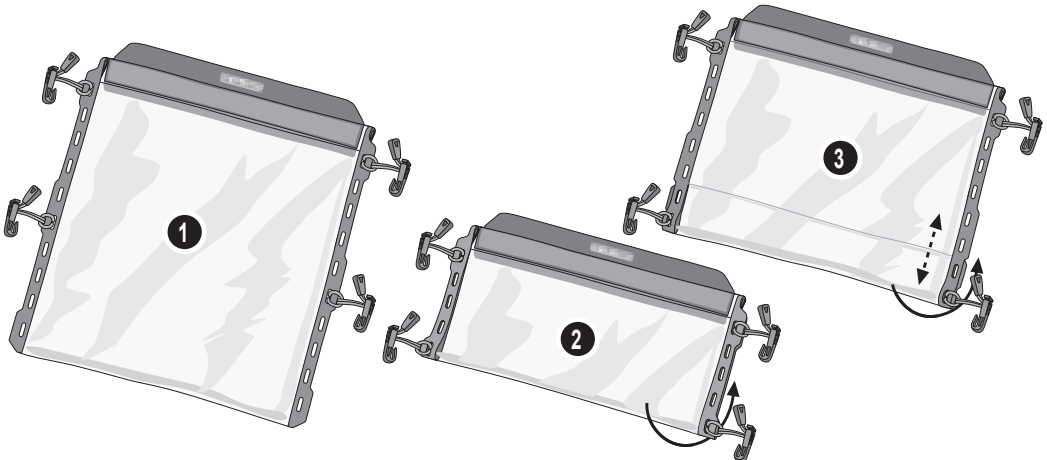
- DE** MONTAGEANWEISUNG:
- GB** ASSEMBLY INSTRUCTIONS:
- FR** INSTRUCTIONS DE MONTAGE:
- IT** ISTRUZIONI DI MONTAGGIO:
- NL** MONTAGE HANDLEIDING:
- DK** MONTERINGSVEJLEDNING:
- ES** INSTRUCCIONES DE MONTAJE:
- SE** MONTERINGSANVISNING:
- NO** MONTERINGSANVISNING:
- FI** ASENNUSOHJEET:
- PL** INSTRUKCJA MONTAŻU:
- JP** 換気の悪い所に保管してください。



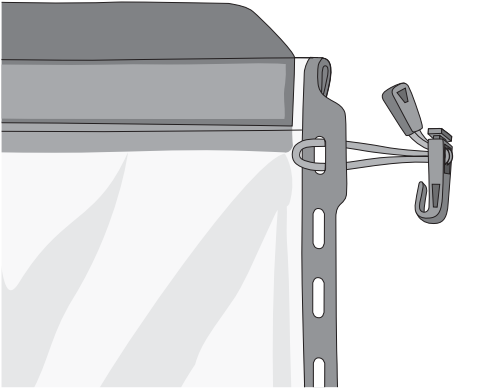
- INHALT:**
- CONTENTS:**
- CONTENU:**
- CONTENUTO:**
- INHOLD:**
- INHOLD:**
- CONTENDO:**
- INNEHÅLL:**
- INHOLD:**
- SSÁLLYS:**
- ZAWARTOSC:**
- 火気厳禁**



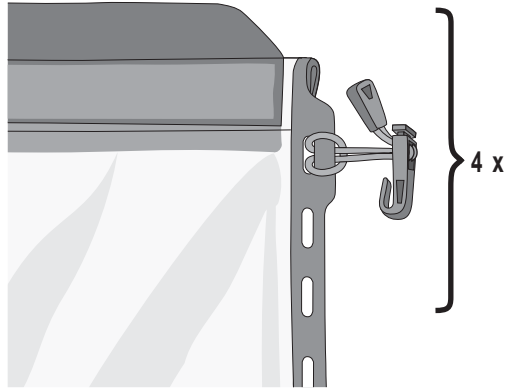
Option



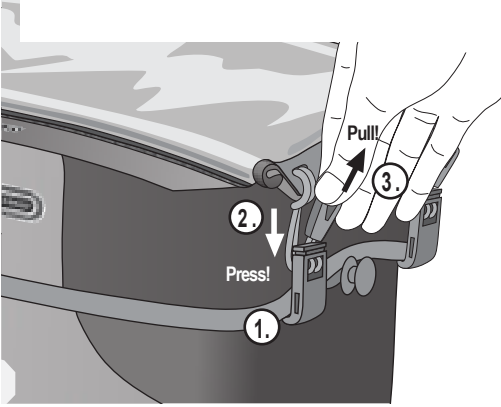
1



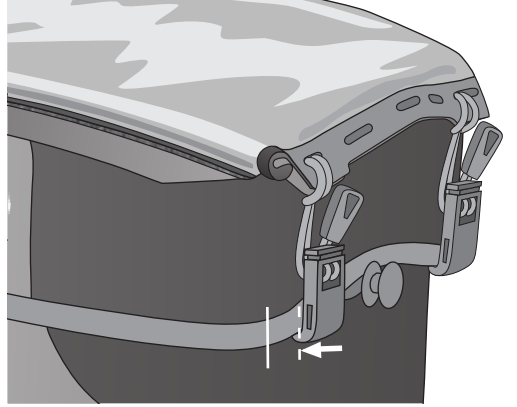
2



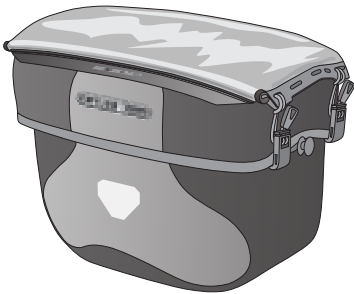
3



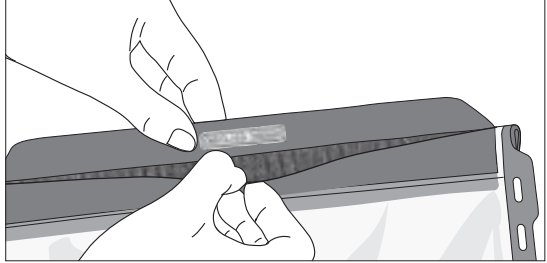
4



5



ÖFFNEN/OPEN



SCHLIESSEN/CLOSE

