

PRODUCT INFO

TOPTUBE-BAG

Waterproof top tube bag with magnetic lid closure

PVC free

IP 53

PFAS free

PS33



Lid closure with cable outlet

Magnetic points

Durable nylon fabric

Tube-Locksystem with perforated straps



Mounting on the top tube



Tube-Lock system with Perforated tapes



Top view with silicone Cell phone holder



Inside view

height cm/in.	width cm/in.	depth cm/in.	vol. L/cu.in.	weight g/oz.	max. load kg/lbs.
12/4.7	23/9.1	8,5/3.3	1,5/92	250/8.8	1/2.2

SPECIFICATIONS:

- + Compact, waterproof top tube bag with magnetic lid closure for quick access
- + Tube-Locksystem for quick removal and mounting of the bag on the top tube
- + Silicone cell phone holder suitable for different cell phone sizes
- + Mounting with perforated straps or directly on the top tube possible
- + Bag lid has integrated cable outlet
- + Stiffened bag body with mesh inner pocket
- + Abrasion-resistant, PU-coated nylon fabric
- + Suitable for mounting on carbon frames

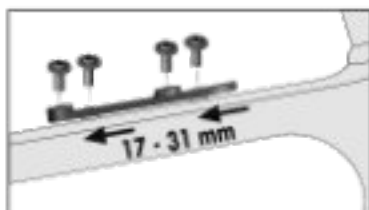
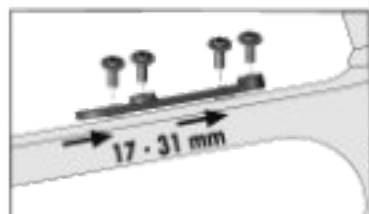
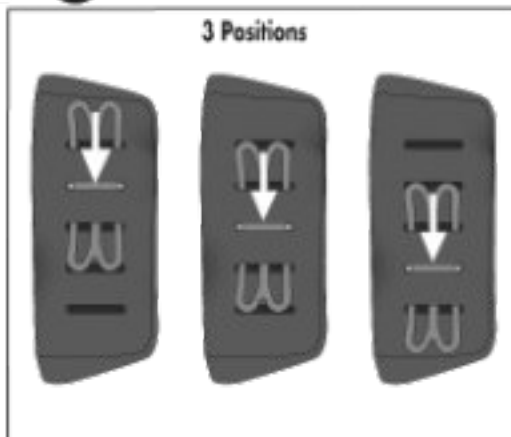
Contents: Toptube bag incl. mounting hardware

Note: In order to meet standard IP53 (5=protected against dust, 3=protected against spray water max. 60° to the vertical) the closure must be completely closed.



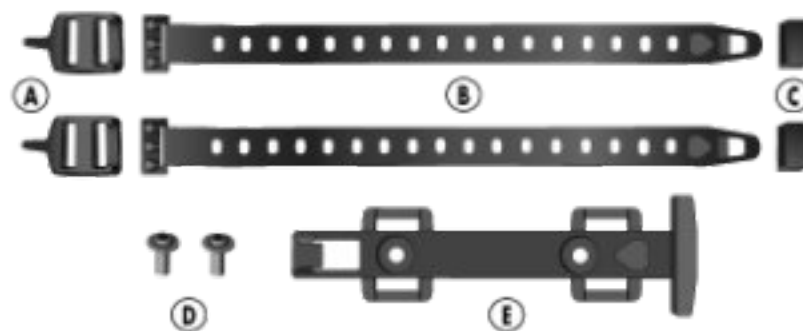
**ACCESSORY**

F9964
Offset-Plate
64 mm

**OPTION****3.1 MOUNT MOBILE PHONE HOLDER****4.1 MOUNT MOBILE PHONE****TOPTUBE-BAG**

- DE** MONTAGEANLEITUNG
- GB** ASSEMBLY INSTRUCTIONS
- FR** INSTRUCTIONS DE MONTAGE
- IT** ISTRUZIONI DI MONTAGGIO
- NL** MONTAGE HANDLEIDING
- DK** MONTERINGSVEJLEDNING

- ES** INSTRUCCIONES DE MONTAJE
- SE** MONTERINGSANVISNING
- NO** MONTERINGSANVISNING
- FI** ASENNUSOHJEET
- PL** INSTRUKCJA MONTAŻU
- JP** 装着方法

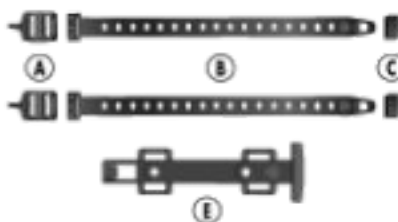


WEITERE INFORMATIONEN:
MORE INFORMATION:
<https://qr.de/ToptubeBag>

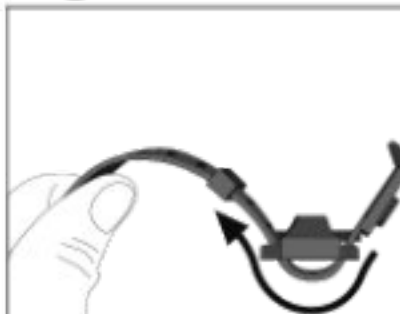


1.1 O-STRAP MOUNT

UM KRATZER ZU VERMEIDEN, BENUTZE RAHMENSCHUTZ-FOLIE AN DEN KONTAKTSTELLEN (nicht beinhaltet)
TO AVOID SCRATCHES, USE ADHESIVE FRAME PROTECTION AT CONTACT POINTS (not included)

1.2**1.3**

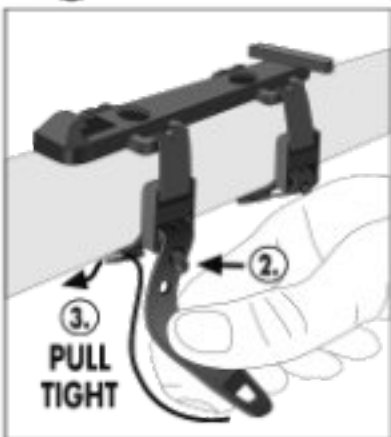
(A + B) **CLOSE**

1.4

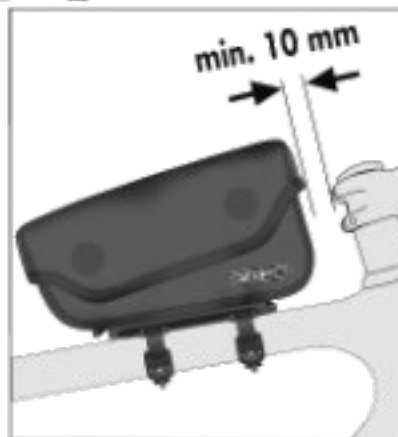
(A + B) + (E) + C

1.5

1. **PULL**

1.5

3. **PULL TIGHT**

1.6**1.7**

min. 10 mm

1.8 ACCESSORY

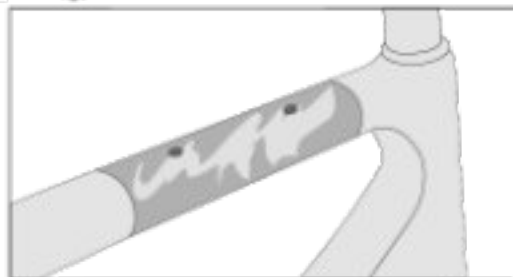
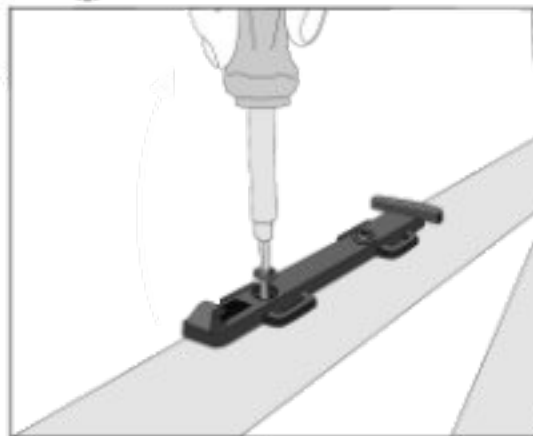
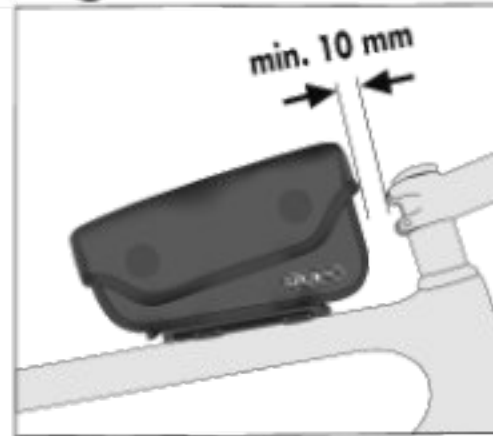
! >55 mm use



F9965 O-Straps
14,5/200 mm
as extension

**2.1 DIRECT MOUNT**

UM KRATZER ZU VERMEIDEN, BENUTZE RAHMENSCHUTZ-FOLIE AN DEN KONTAKTSTELLEN (nicht beinhaltet)
TO AVOID SCRATCHES, USE ADHESIVE FRAME PROTECTION AT CONTACT POINTS (not included)

2.2**2.3****2.4**

min. 10 mm