
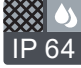


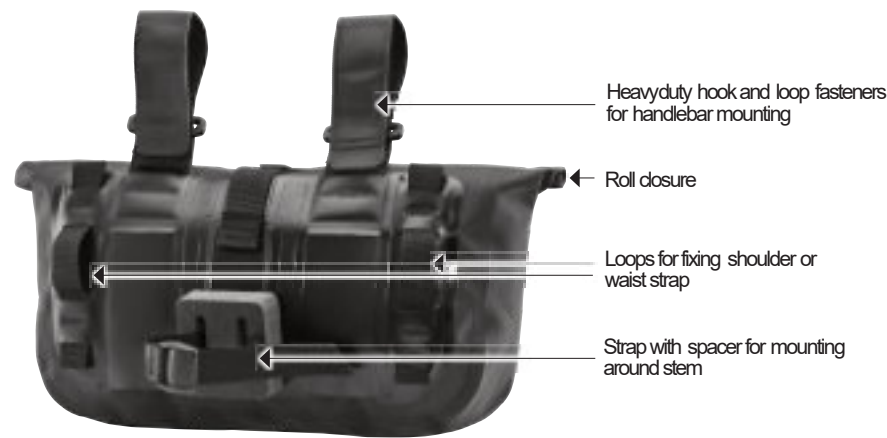


# PRODUCT INFO

## ACCESSORY-PACK

Waterproof small additional bag

-  PVC free
-  IP 64
-  PS21R
-  PS33
-  PFAS free



Can be used as a shoulder or hip bag with included strap



More capacity: Accessory-Pack mounted to Handlebar-Pack (optional accessory)

height cm/in	width cm/in.	depth cm/in.	vol. L/cu.in.	weight g/oz.	max. capacity kg/lbs.
17/6.7	30/11.8	5/2	3.5/214	206/7.3	1/2.2

### SPECIFICATIONS:

- + Waterproof Accessory-Pack with roll closure
- + Ideal accessory bag for extra gear, perfect for small stuff such as cell phones, energy bars, GPS etc.
- + Can be used independently as a handlebar bag, or fixed to the Handlebar-Pack for additional quick access storage
- + Can be used as a shoulder bag or hip pouch with the included waist strap
- + Light weight sturdy PU laminated rip stop nylon
- + Mounts to Handlebar-Pack at four locations, utilizing four webbing loops and heavy duty alloy hooks
- + Heavy duty hook and loop fasteners for mounting directly to the handlebar
- + Can be mounted to carbon handlebars
- + Reflective logo
- + Maximum capacity: 1 kg/2.2 lbs.

**Contents:** Accessory-Pack with waist strap

**Optional accessory:** Handlebar-Pack

**Note:** In order to meet standard IP64 (6=dustproof, 4=protected against splash water coming from all directions) the closure must be rolled 3-4 times.



**C****1****ACCESSORY-PACK****ORTLIEB** WATERPROOF

- DE** MONTAGEANLEITUNG
- GB** ASSEMBLY INSTRUCTIONS
- FR** INSTRUCTIONS DE MONTAGE
- IT** ISTRUZIONI DI MONTAGGIO
- NL** MONTAGE HANDLEIDING
- DK** MONTERINGSVEJLEDNING

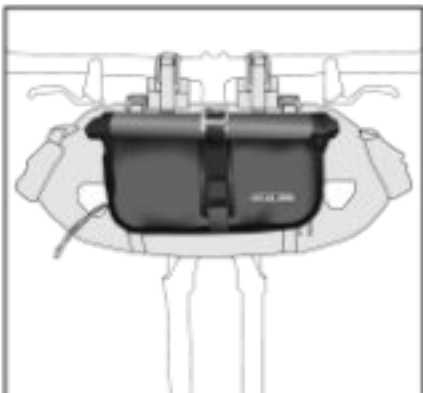
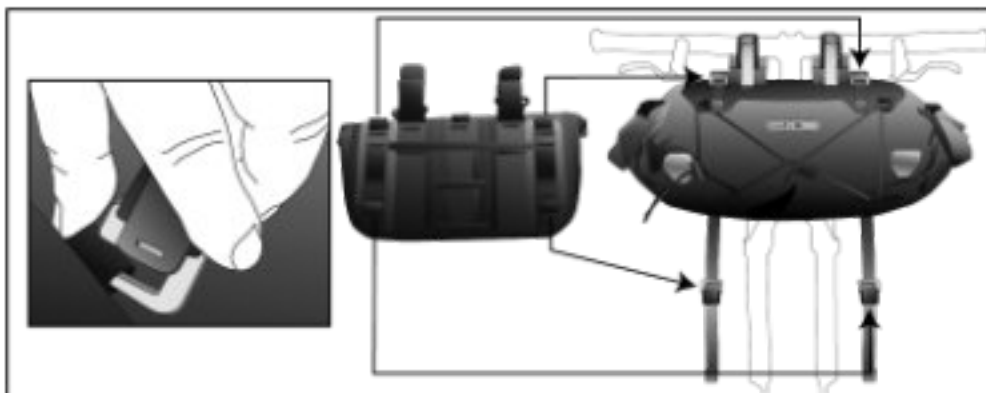
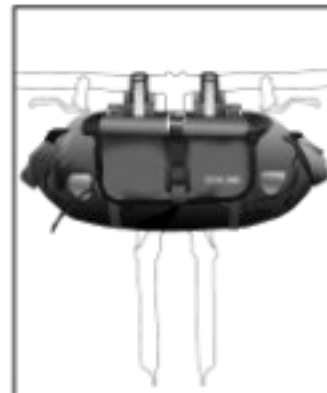
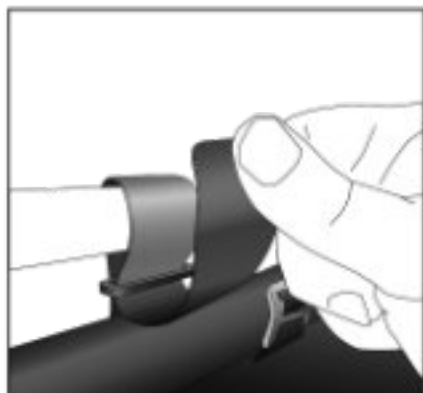
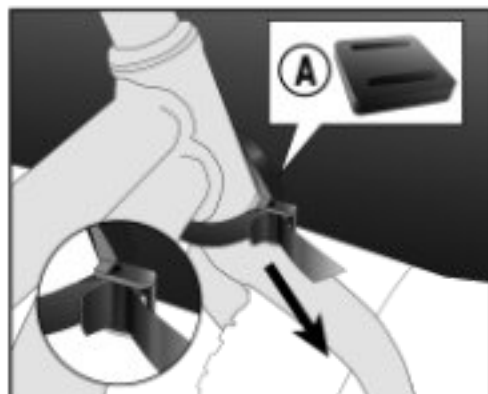
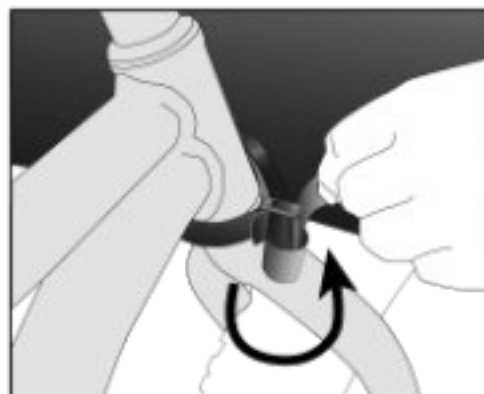
- ES** INSTRUCCIONES DE MONTAJE
- SE** MONTERINGSANVISNING
- NO** MONTERINGSANVISNING
- FI** ASENNUSOHJEET
- PL** INSTRUKCJA MONTAZU
- JP** 装着方法



WEITERE INFORMATIONEN:  
 MORE INFORMATION:

<https://www.youtube.com/watch?v=CuMwYUyS0M>



**A****1****2****B****1****2****2.1****2.2****2.3****2.4****2.5**