

PRODUCT INFO

HANDLEBAR-PACK

Waterproof handlebar bag

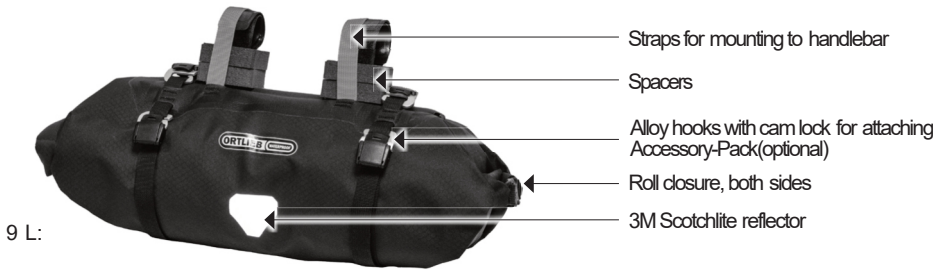
PVC free

IP 64

PS21R

PS33

PFAS free



9 L:



15 L:



More capacity: Handlebar-Pack with Accessory-Pack(optional accessory) fixed by means of metal hooks



height cm/in	width cm/in.	depth cm/in.	vol. L/cu.in.	weight g/oz.	max. load kg/lbs.
16/6.3	40/15.7	16/6.3	9/549	375/13.2	5/11
20/7.9	58/22.8	20/7.9	15/915	420/14.8	5/11

SPECIFICATIONS:

9 L / 15 L:

- + Waterproof luggageroll with roll closures on both sides for the handlebar
- + Ideal handlebar bag for bikepacking
- + Perfect for waterproof storage of soft items like clothes, sleeping bag or mattress (two openings)
- + Quick and easy two-way access
- + Light weight sturdy PULaminated rip stop nylon
- + 4 spacers and 2 straps with side release buckles and hook and loop fasteners to secure bag to handle bar
- + Strap with spacer for fixing to headtube
- + 4 alloy hooks with cam lock for adjusting the compression straps or fixing the Accessory-Pack(available separately)
- + Compression straps
- + Valve for quick and easy compression
- + Internal stiffener for increased stability
- + Can be mounted to carbon handlebars
- + Balanced weight distribution on bicycle
- + Reflector 3M Scotchlite

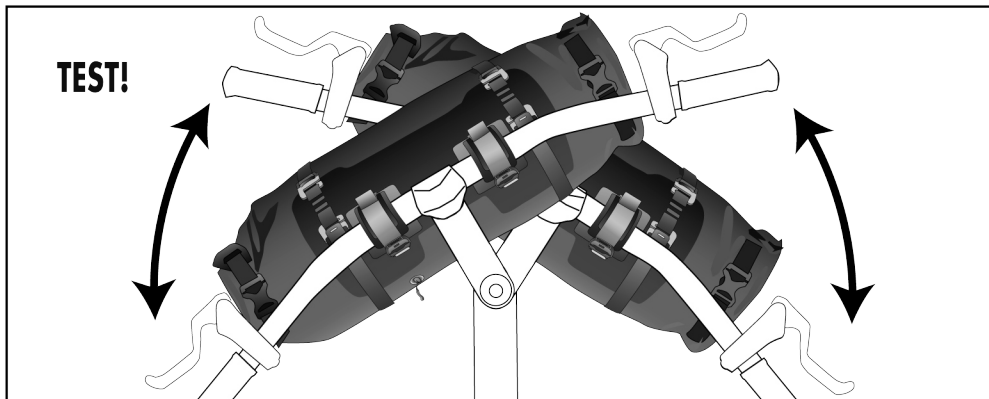
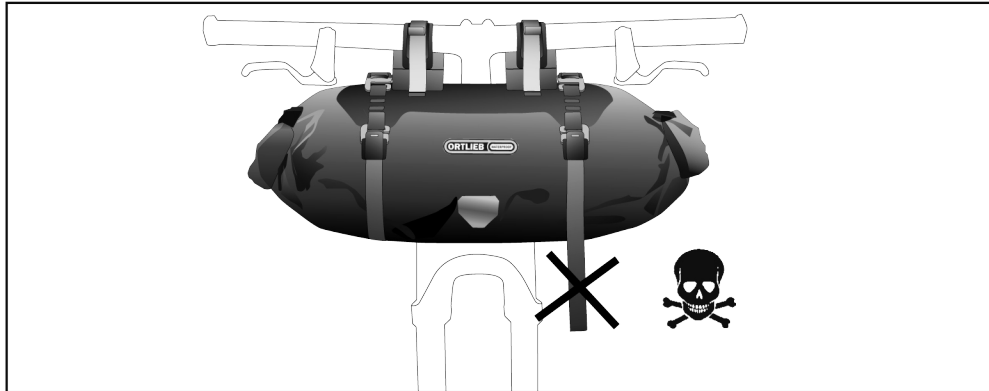
15 L:

- + Elastic cords on the outside
- + 2 reflectors 3M Scotchlite

Contents: Handlebar Pack with compression straps, foam spacers, inner stiffener

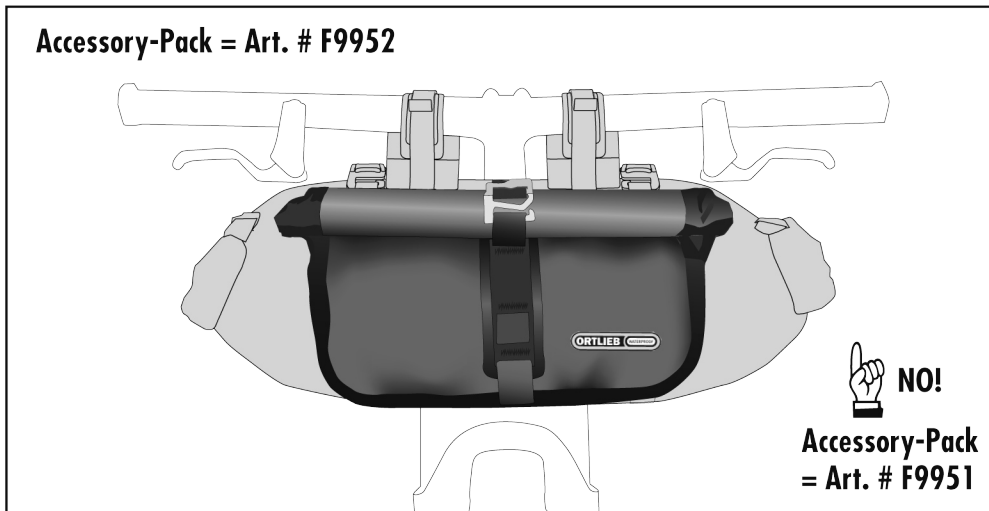
Optional accessory: Accessory-Pack

Note: In order to meet standard IP64 (6=dustproof, 4=protected against splash water coming from all directions) the closure must be rolled 3-4 times.



ACCESSORIES

Accessory-Pack = Art. # F9952



HANDLEBAR-PACK 9 L



- DE MONTAGEANLEITUNG
- GB ASSEMBLY INSTRUCTIONS
- FR INSTRUCTIONS DE MONTAGE
- IT ISTRUZIONI DI MONTAGGIO
- NL MONTAGE HANDLEIDING
- DK MONTERINGSVEJLEDNING

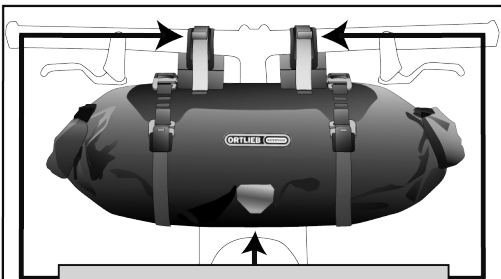
- ES INSTRUCCIONES DE MONTAJE
- SE MONTERINGSANVISNING
- NO MONTERINGSANVISNING
- FI ASENNUSOHJEET
- PL INSTRUKCJA MONTAŻU
- JP 装着方法



WEITERE INFORMATIONEN:
MORE INFORMATION:

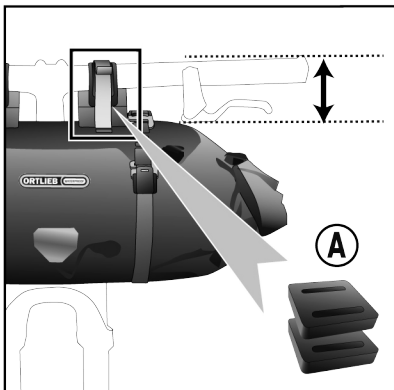
<https://www.youtube.com/watch?v=CuMWYUYhSoM>



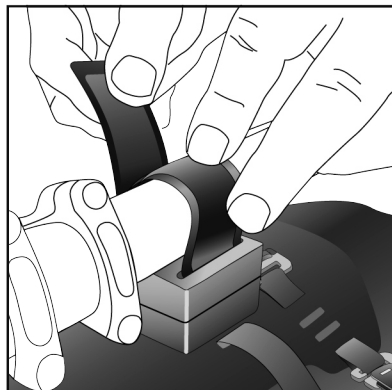


UM KRATZER ZU VERMEIDEN, BENUTZE RAHMENSCHUTZFOLIE AN DEN KONTAKTSTELLEN (nicht beinhaltet)
 TO AVOID SCRATCHES, USE ADHESIVE FRAME PROTECTION AT CONTACT POINTS (not included)

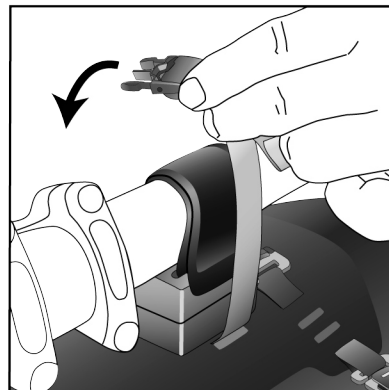
1.1



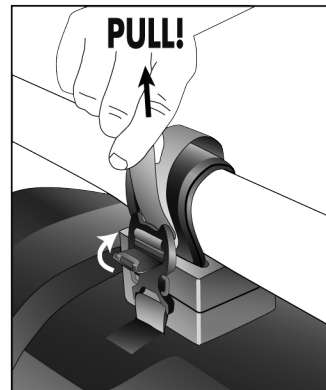
1.2



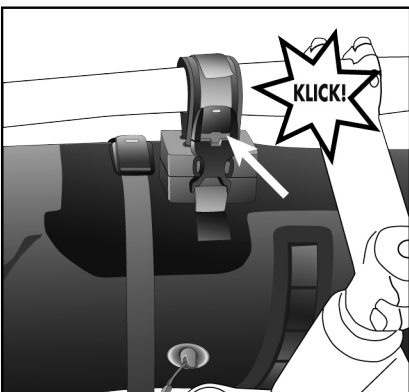
1.3



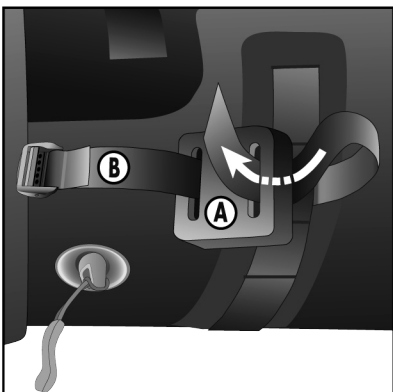
1.4



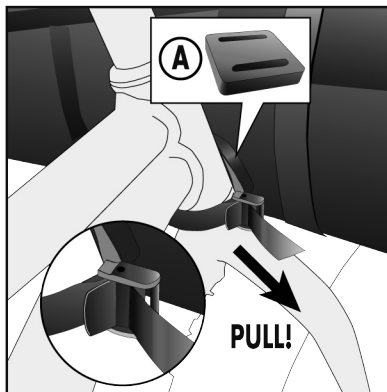
1.5



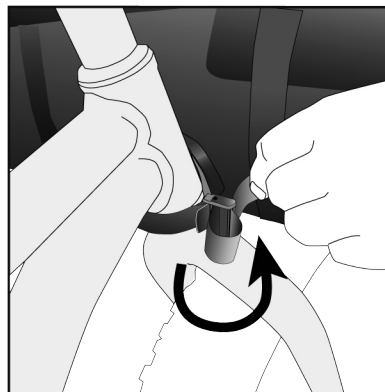
1.6



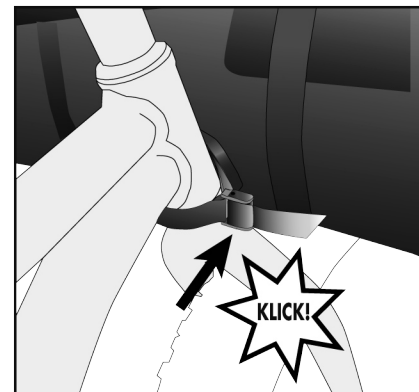
1.7



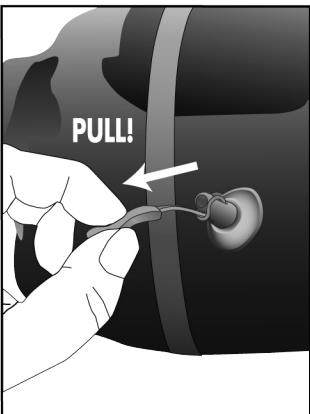
1.8



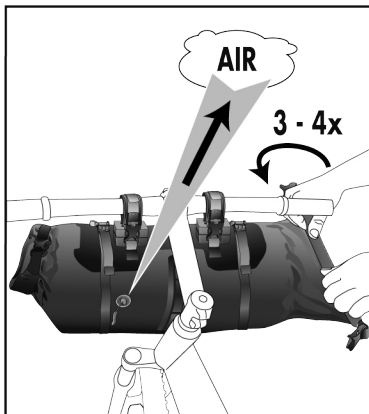
1.9



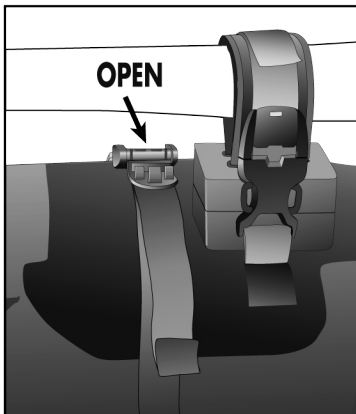
2.1



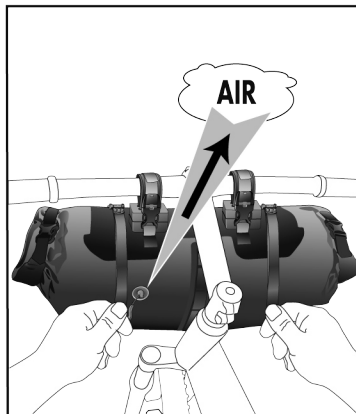
2.2



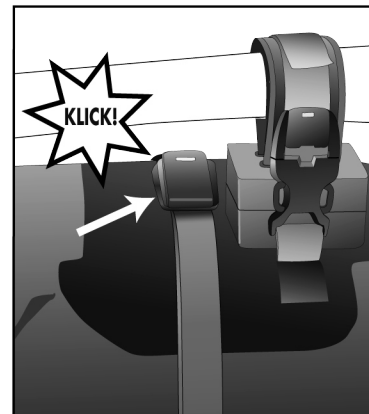
2.3



2.4



2.5



2.6

