

PRODUCT INFO



SEAT- PACK QR

Waterproof saddle bag with Seat-Lock mounting system

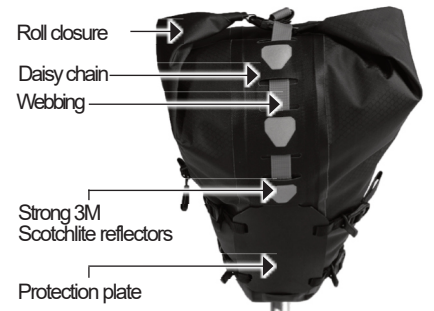
PFAS free

PVC free

IP 64

PS21R

PS33



height cm/in	width cm/in.	depth cm/in.	vol. L/cu.in.	weight g/oz.	maximum load kg/ lbs
28/11.0	48/18.9	22/8.7	13/793	625/22.0	3-5/6,6-11,0

SPECIFICATIONS:

- + Waterproof saddlebag with roll closure
- + Seat-Lock mounting system
- + Bag has an internal stiffener and four compression straps; securing the load very well to the saddle and seatpost
- + Compatible with standard seatposts between 22 and 35 mm diameter
- + Compatible with dropper posts when adapter clamp is used (height 4,3cm/1,7in)
- + Ideal for bikepacking, alpcrossing, touring
- + Mounting via levers on the saddle rails and a strong hook and loop fastener around the seatpost
- + Lightweight, robust PU-coated nylon fabric
- + Valve with grip loop to compress the pack volume
- + Elastic cords on the top of the bag for quick stowage of additional gear
- + Protective plate on the bottom prevents damage from tire contact
- + No residual fixing components when the bag is removed
- + Daisy chain for attaching rear light or additional equipment
- + 3M Scotchlite reflectors
- + Maximum load 3 to 5 kg depending on the position of the hooks
- + Requires approx. 3 cm space on the seat post

Contents: Saddlebag with Seat-Lock mounting system, Adapter clamp for dropper posts

Attention: The use on carbon seat posts is only approved with the use of appropriate scratch protection films

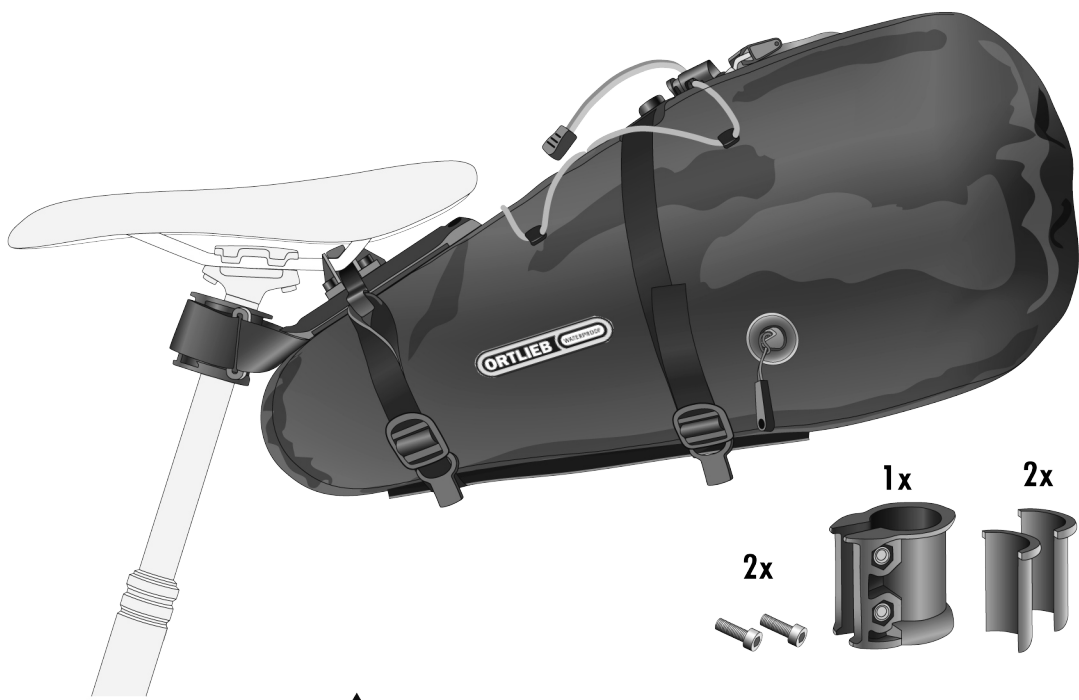
Note: In order to meet standard IP64 (6=dustproof, 4=protected against splash water coming from all directions) the closure must be rolled 3-4 times.



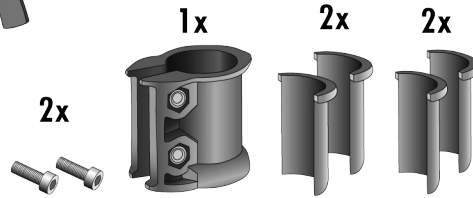
SEAT-PACK QR



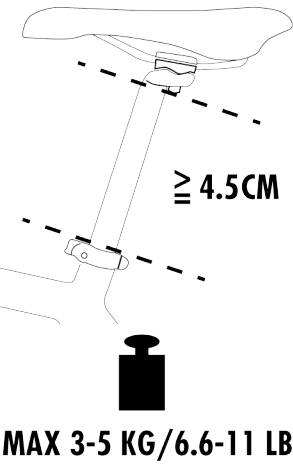
- DE MONTAGEANLEITUNG
- GB ASSEMBLY INSTRUCTIONS
- FR INSTRUCTIONS DE MONTAGE
- IT ISTRUZIONI DI MONTAGGIO
- NL MONTAGE HANDLEIDING
- DK MONTERINGSVEJLEDNING
- ES INSTRUCCIONES DE MONTAJE
- SE MONTERINGSANVISNING
- NO MONTERINGSANVISNING
- FI ASENNUSOHJEET
- PL INSTRUKCJA MONTAZU
- JP 装着方法



VIDEO



! CARBON SEATPOST **!** WITHOUT DROPPER POST **1.1** ONLY FOR DROPPER POST (1.1 - 1.5)

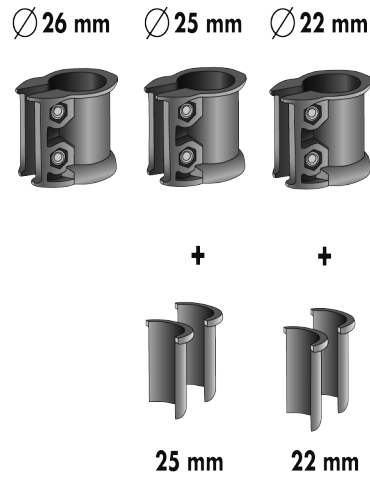
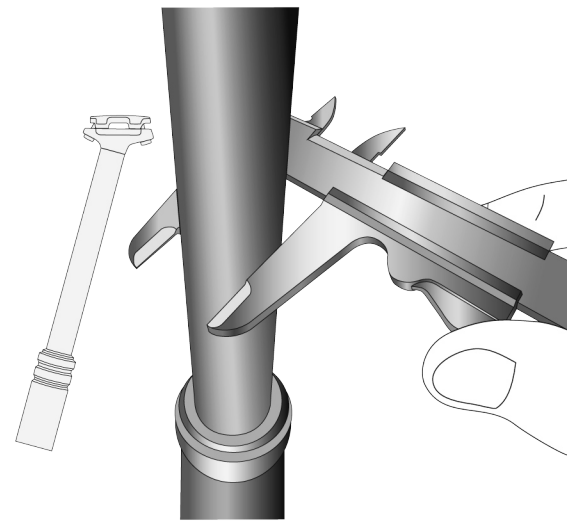


! CARBON SEATPOST

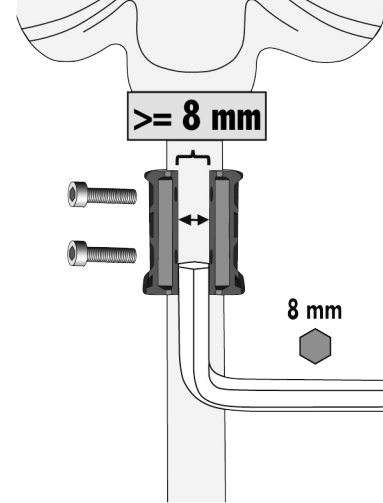
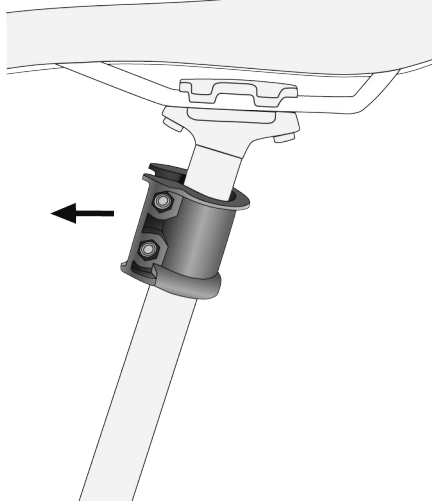
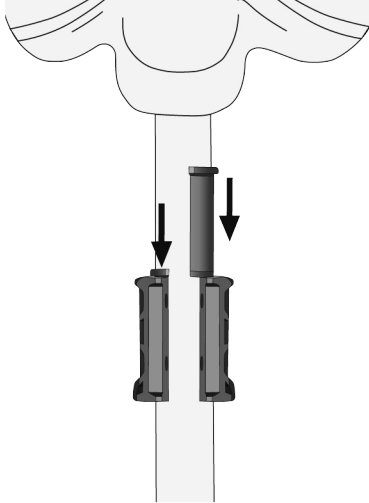
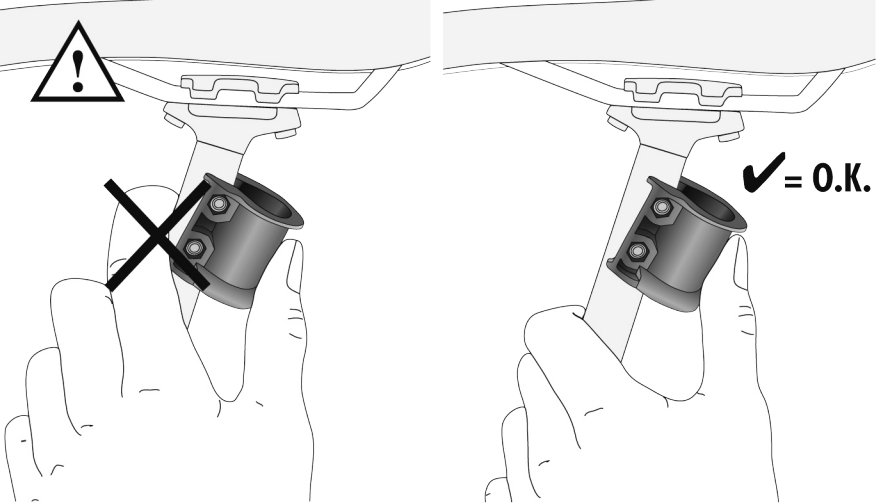
CARBON-SATTELSTÜTZEN NUR MIT RAHMEN-SCHUTZFOLIE AN DEN KONTAKTSTELLEN VERWENDEN (nicht beinhaltet)
USE CARBON-SEATPOST ONLY IN COMBINATION WITH ADHESIVE FRAME PROTECTION AT CONTACT POINTS (not included)

! WITHOUT DROPPER POST

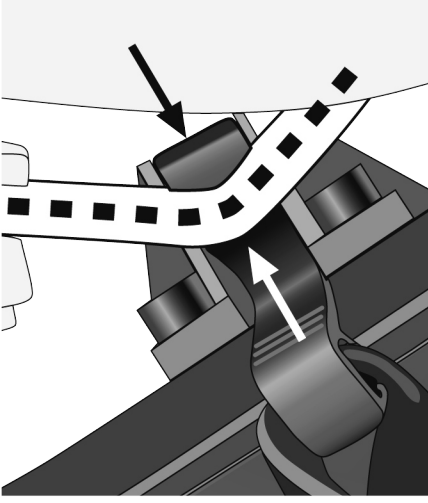
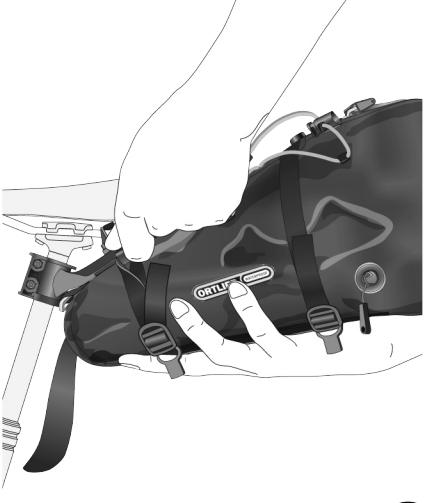
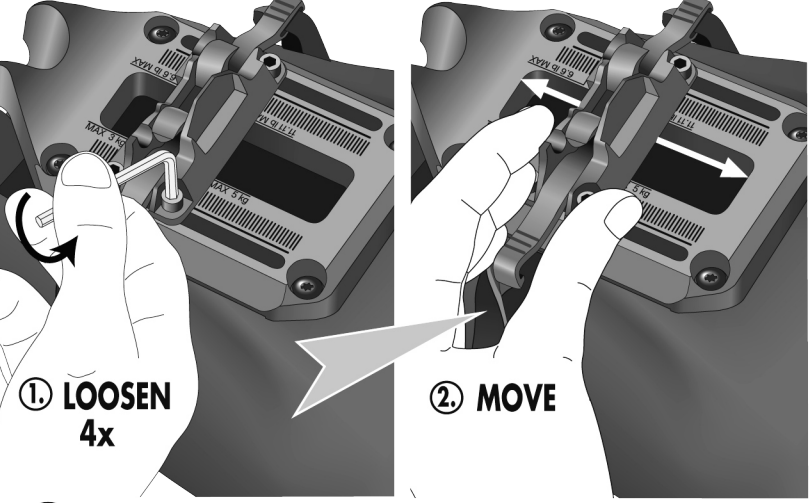
UM KRATZER ZU VERMEIDEN, BENUTZE RAHMEN-SCHUTZFOLIE AN DEN KONTAKTSTELLEN (nicht beinhaltet)
TO AVOID SCRATCHES, USE ADHESIVE FRAME PROTECTION AT CONTACT POINTS (not included)



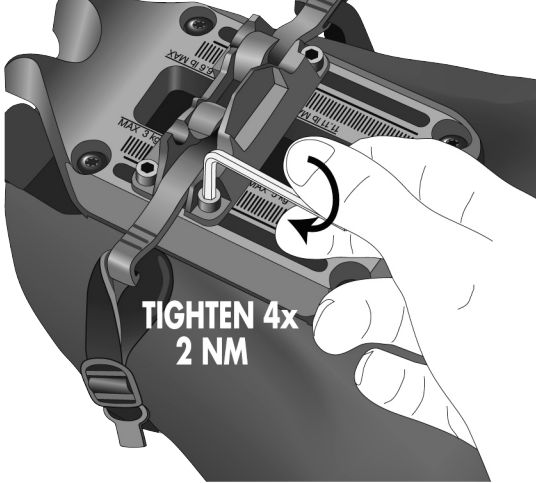
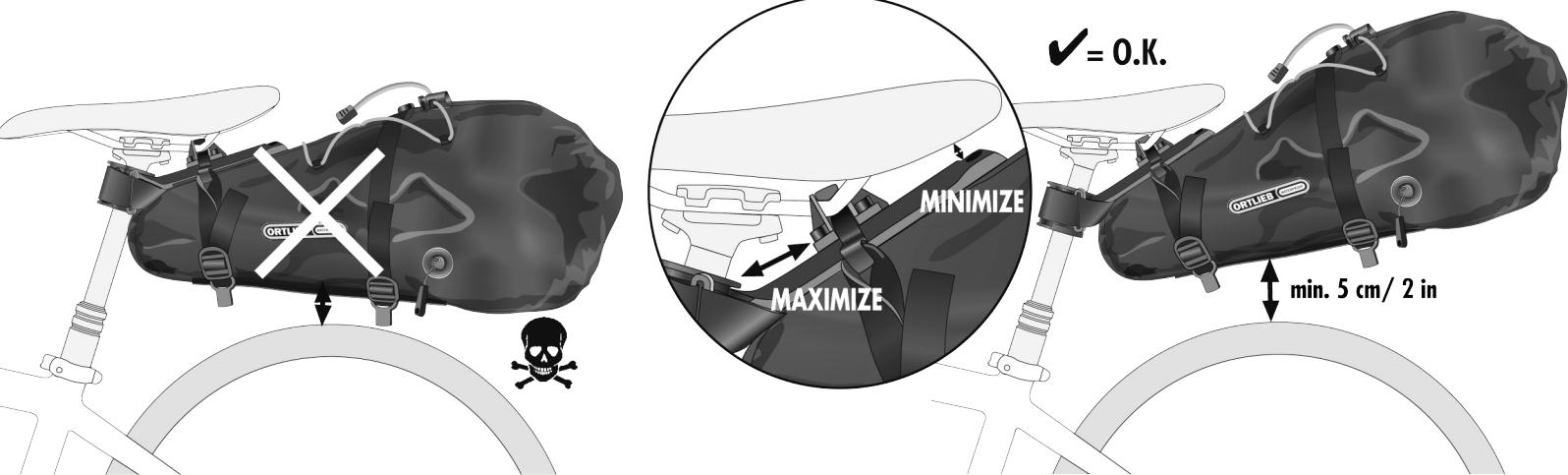
1.2 PINCH POINT **1.3** INSTALL SPACER, IF REQUIRED **1.4** ALIGN WITH DROPPER POST **1.5** TIGHTEN CLAMP TO DROPPER POST STANCHION



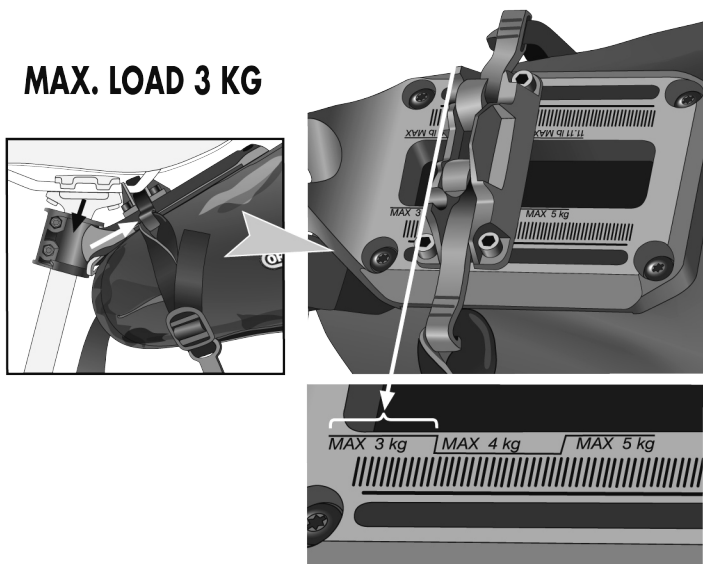
2.1 LOOSEN SCREWS - ADJUST CLAMP **2.2** ADJUST WEBBING TO LONGEST POSITION **2.3** PRESS ON TO SADDLE RAILS **2.4** HOOK ONTO BEND OF SADDLE RAILS



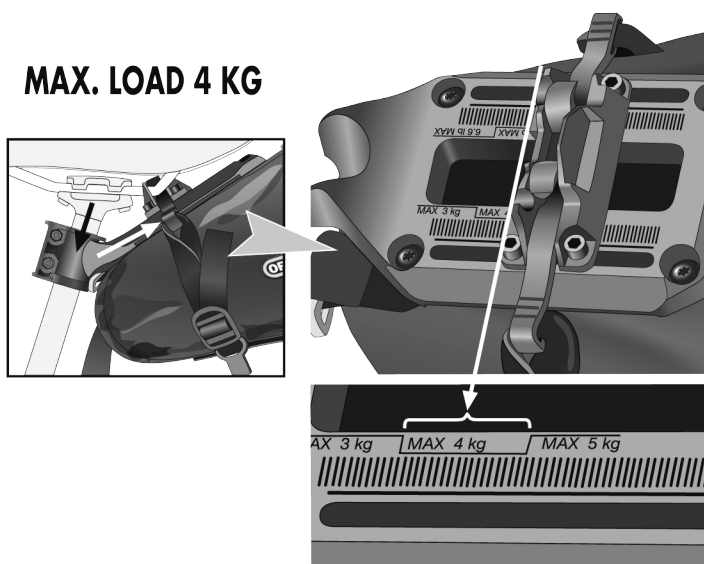
2.5 ADJUST MOUNT TO OPTIMAL POSITION **2.6** CAREFULLY REMOVE BAG AND TIGHTEN MOUNTING SCREWS



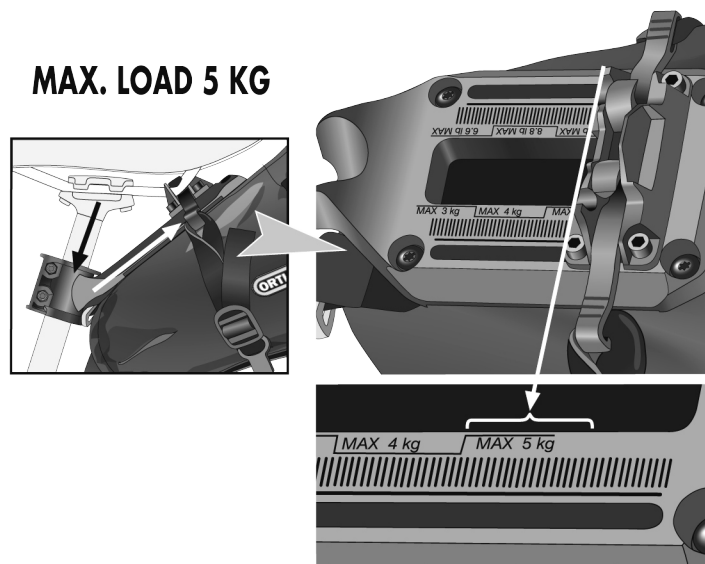
MAX. LOAD 3 KG



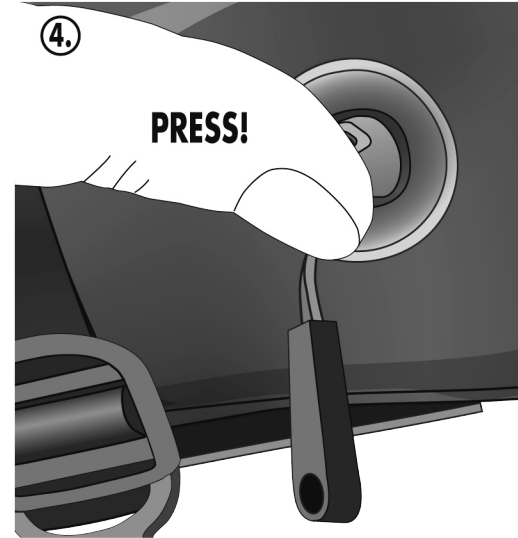
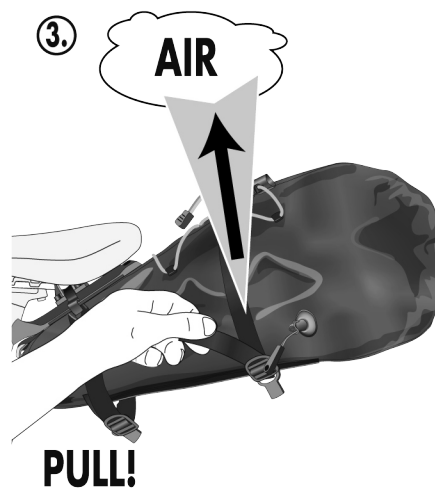
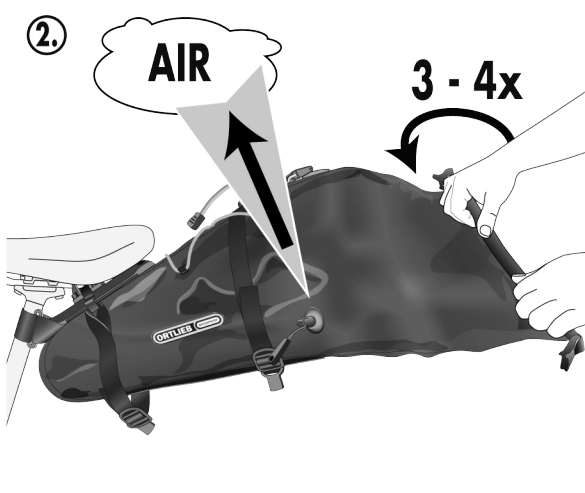
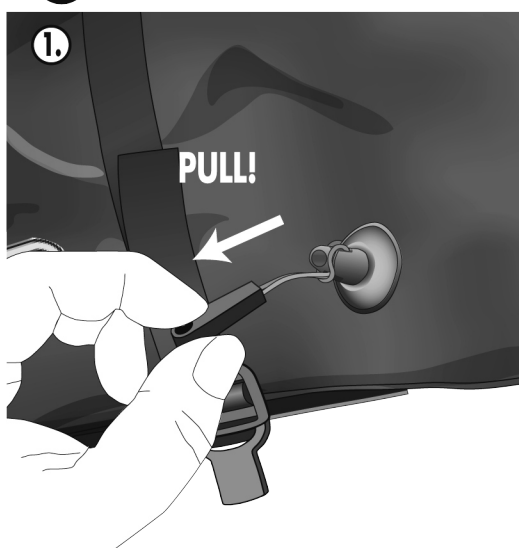
MAX. LOAD 4 KG



MAX. LOAD 5 KG



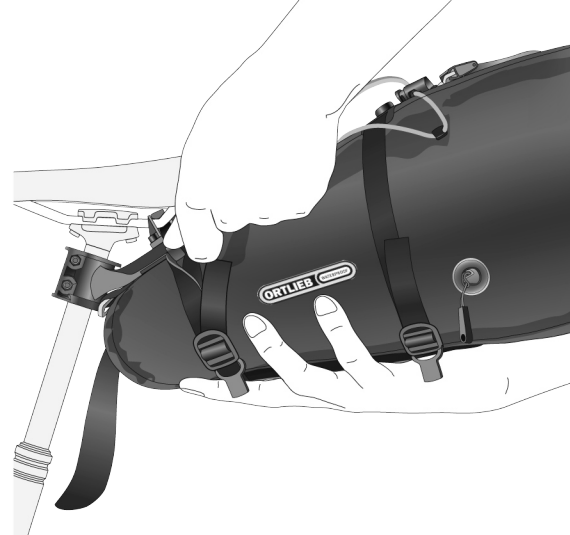
3.0



4.0



5.1



5.2 TIGHTEN COMPRESSION STRAPS

